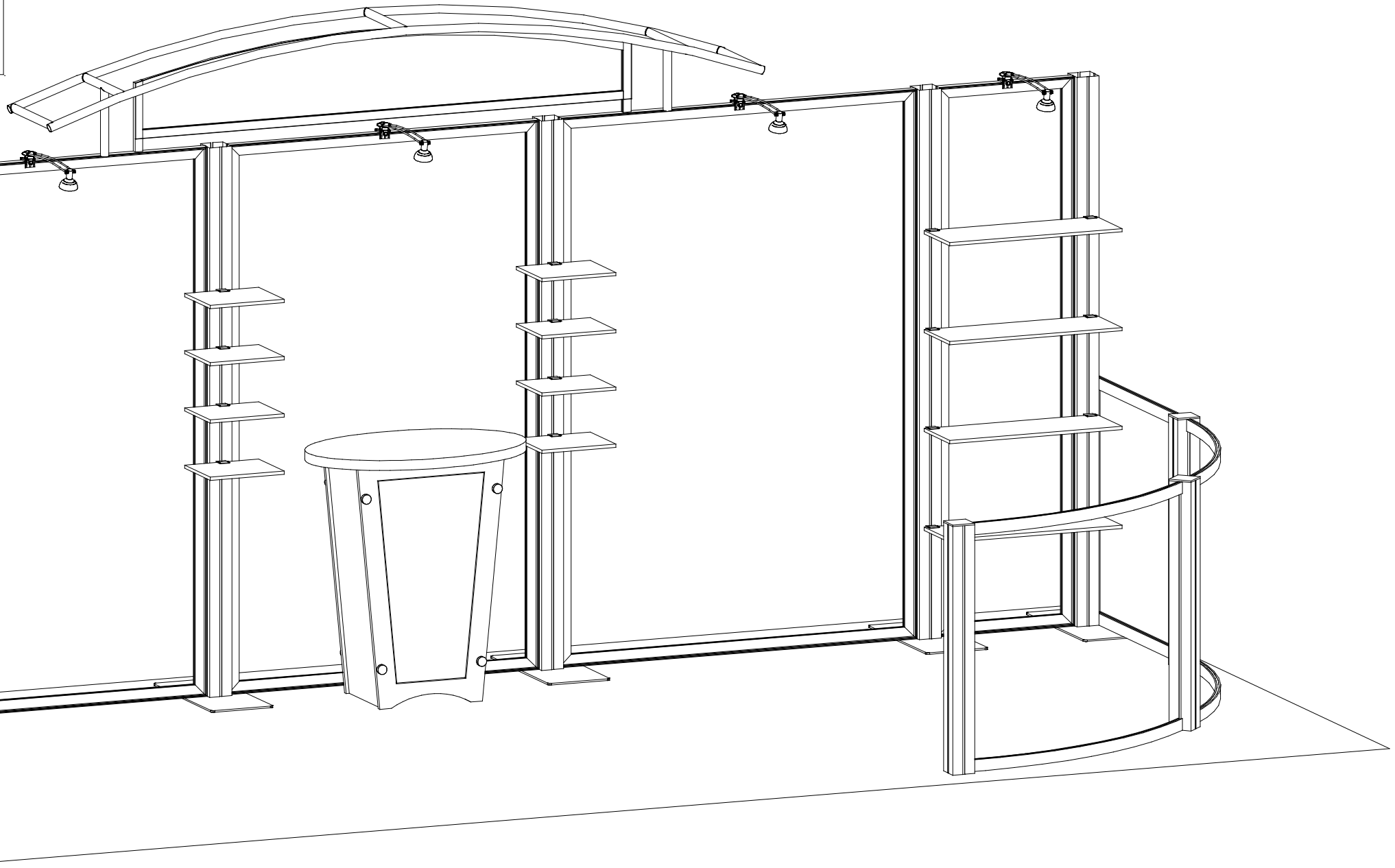
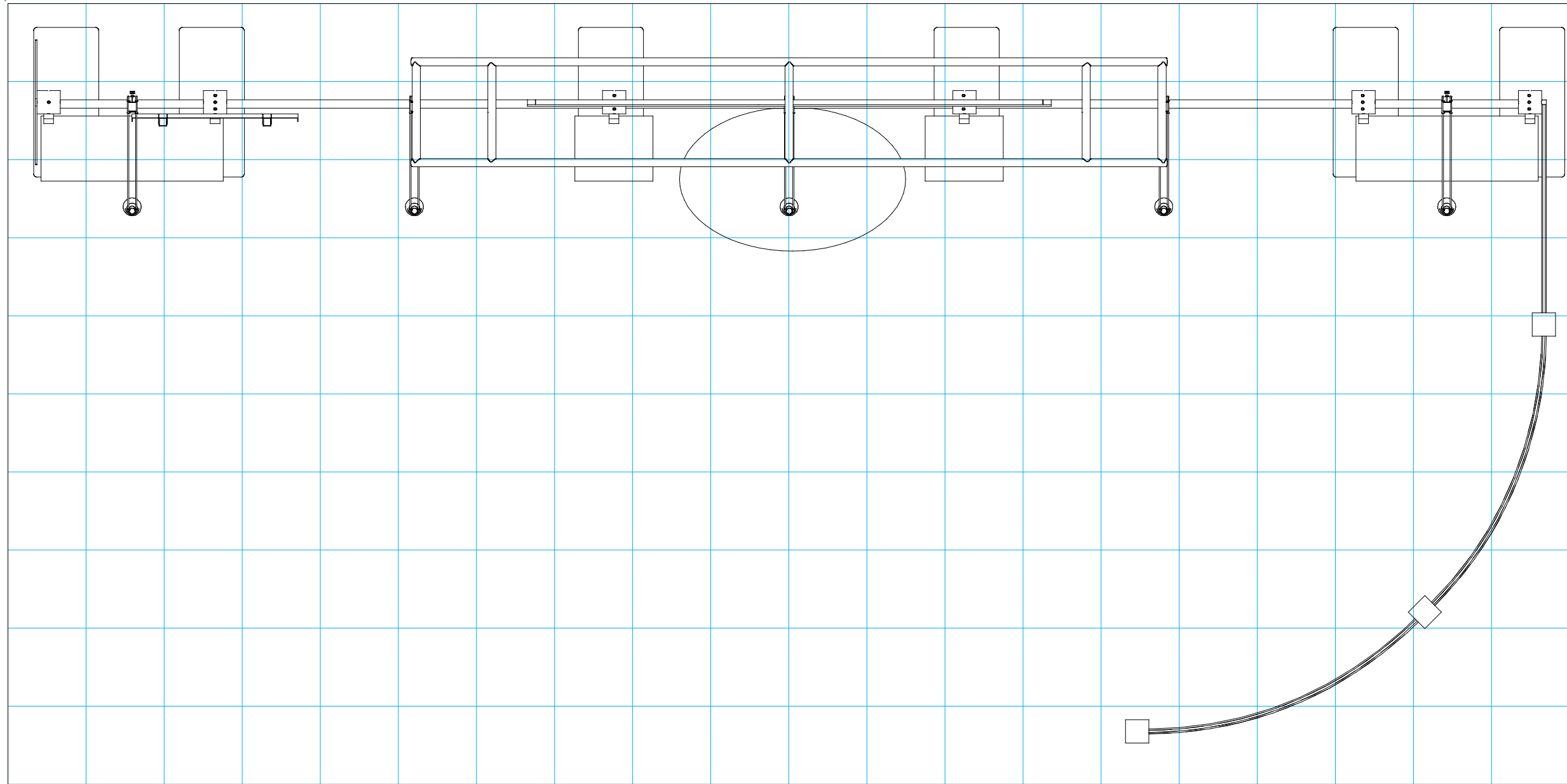



Plan View

20'





 = 1 sq foot

General Setup Instructions

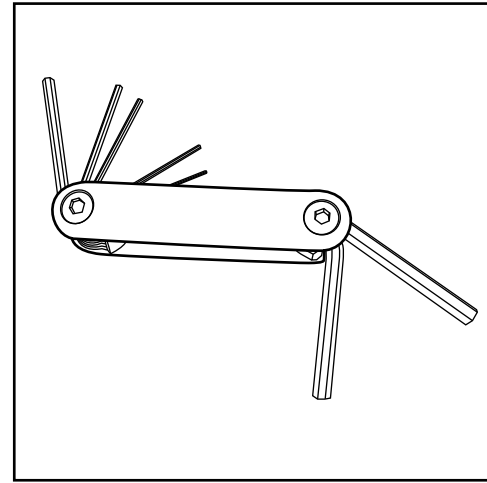
- Read entire setup instruction manual prior to unpacking parts and pieces.
- The setup instructions are created specifically for this configuration.
- Setup instructions are laid out sequentially in steps, including exploded views with detailed explanation for assembly.

Cleaning & Packing

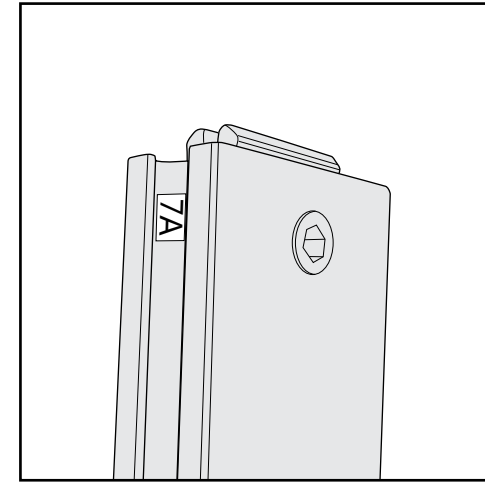
- For Cleaning Metal, Plex, & Laminate Parts: Use a **MILD NON-ABRASIVE** cleanser and soft cloth/paper towel to clean all surfaces.
- Keep exhibit components away from heat and prolonged sun exposure. **Heat and UV exposure will warp and fade components.**
- Retain all provided Packing Materials. All provided packing materials are for ease of repacking & component protection.

Disassembly

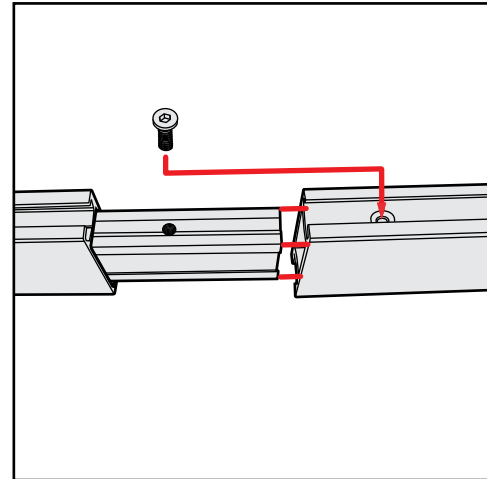
- For loss prevention, tighten all set screws and locks during disassembly.



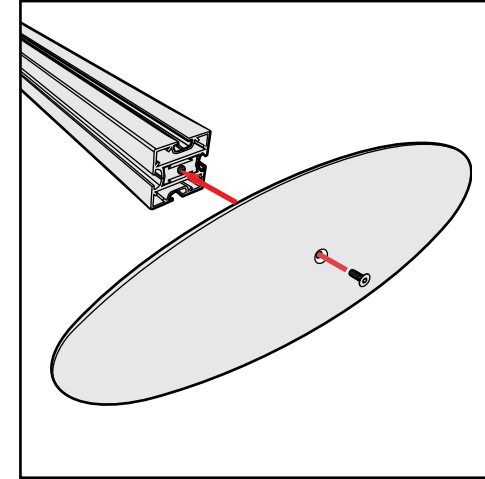
Hex Tool - Essential for Assembly



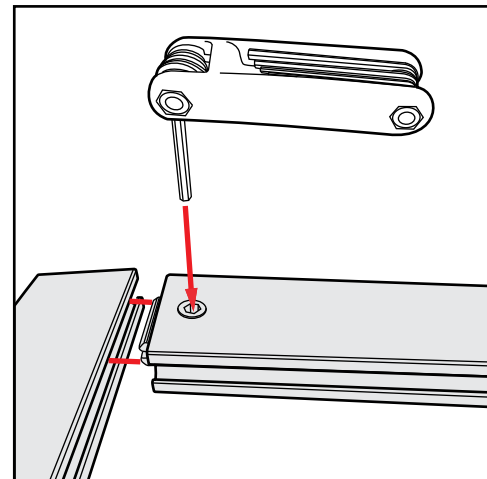
Part Identification - Numbering



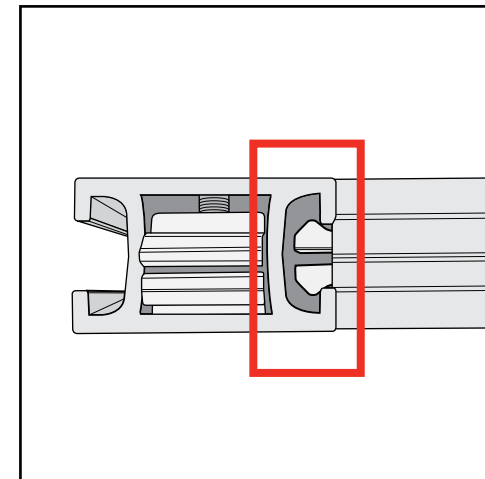
Spline Connection



Base Plate & Extrusion Connection



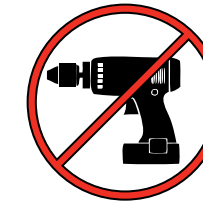
Extrusion & Lock Connection



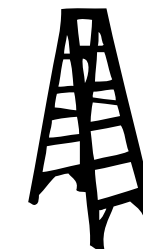
Engaged Lock



WARNING



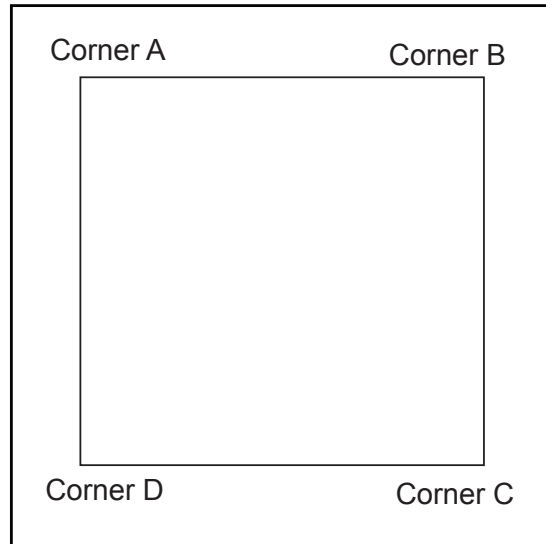
DO NOT USE POWER TOOLS



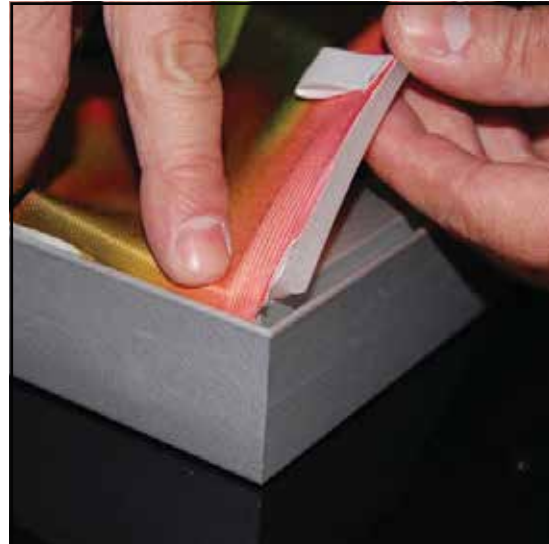
LADDERS OR LIFTS
MAY BE REQUIRED



ALL CONNECTIONS MUST
BE TIGHTLY SECURED



It is important to first insert graphic into each alternate corner then to the sides of the frame. If this is not done, graphic will not fit into the frame correctly.



Step 1
Insert corner A. Turn edge of graphic so silicon welt is perpendicular to face of graphic. Insert narrow side of welt with fabric to outside into the channel. Repeat for other side of this corner.

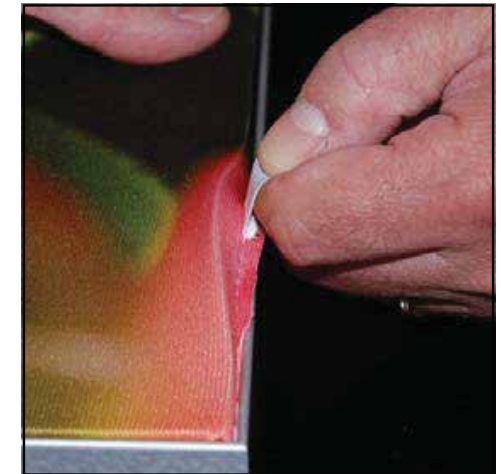


Step 2
Repeat Step 1 for opposite corner C, then insert corner B, followed by corner D, to complete the installation of the corners.



Step 3
Once all corners are inserted, press one silicon edge into channel from corners and work toward the center. Make sure welt is fully inserted into channel. Continue until all sides are done. Smooth out edges of graphic.

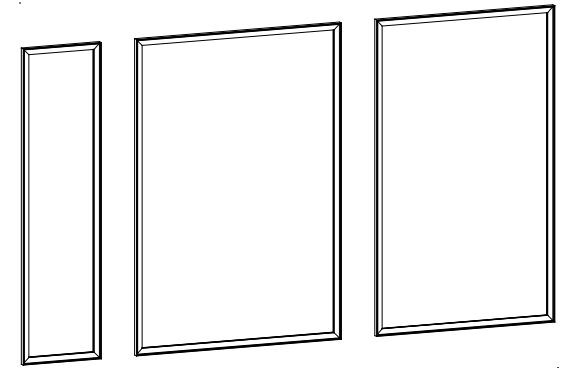
Graphic Removal



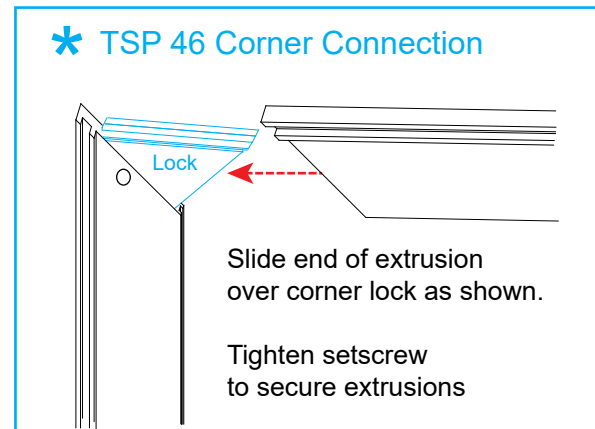
To remove the graphic from the frame, locate the fabric pull tab. Gently pull up on the tab to remove the fabric.

Item	Qty.	Description
7	1	84”h TSP46 Vertical Extrusion
8	1	84”h TSP46 Vertical Extrusion
9	1	22”w TSP46 Horizontal Extrusion
10	1	22”w TSP46 Horizontal Extrusion
11	1	84”h TSP46 Vertical Extrusion
12	1	84”h TSP46 Vertical Extrusion
13	1	57.75”w TSP46 Horizontal Extrusion
14	1	57.75”w TSP46 Horizontal Extrusion
15	1	84”h TSP46 Vertical Extrusion
16	1	84”h TSP46 Vertical Extrusion
17	1	50.25”w TSP46 Horizontal Extrusion
18	1	50.25”w TSP46 Horizontal Extrusion

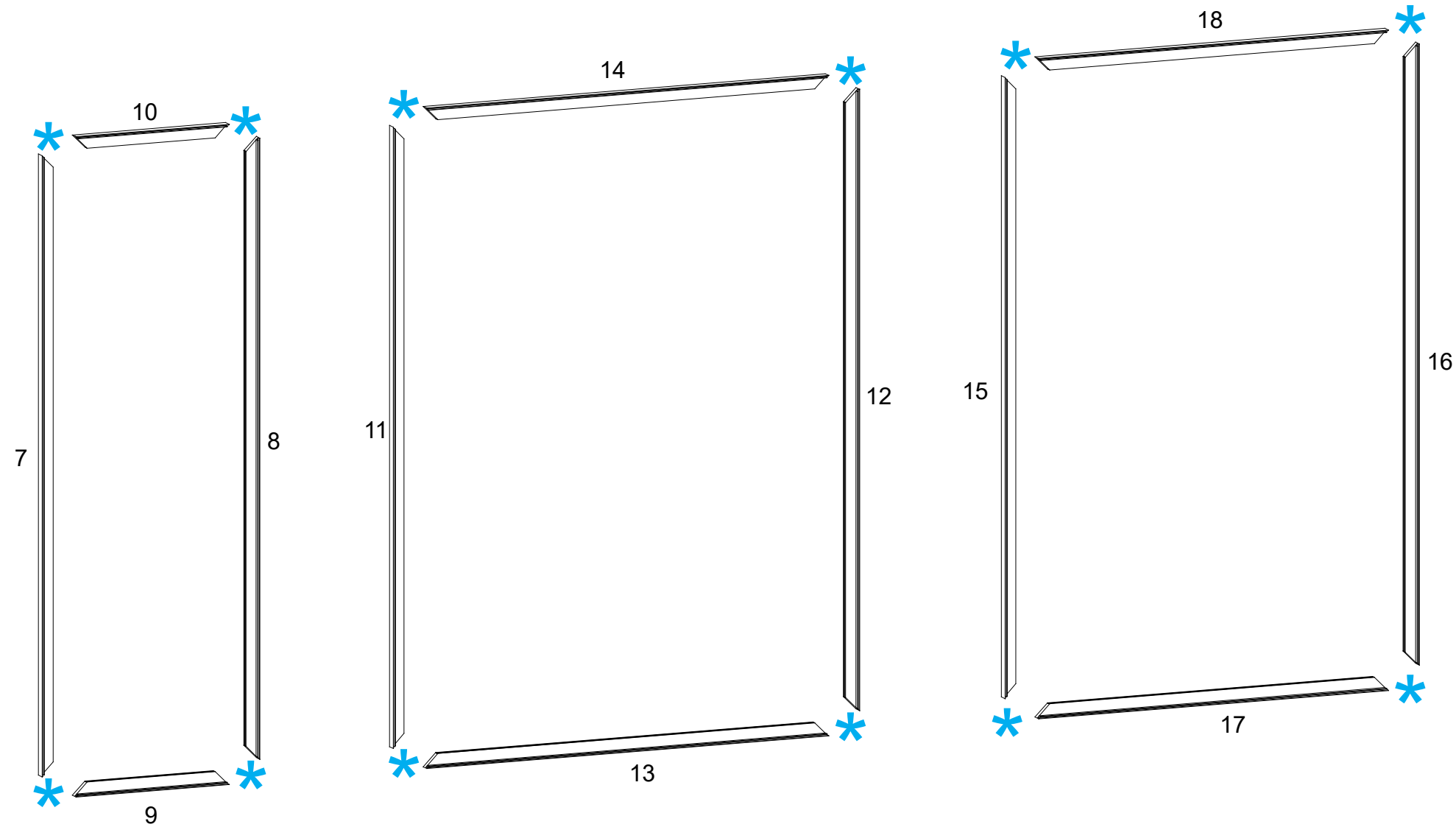
Steps:
1) Assemble horizontal & vertical extrusions [7] through [18] together as shown. See [TSP46 Corner Connection](#) detail.



When assembled



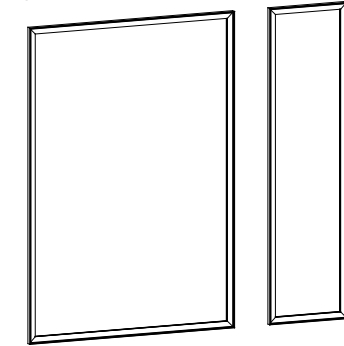
Assemble frame flat on ground.



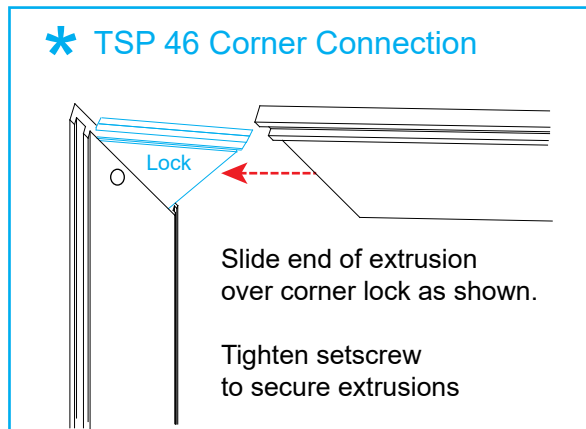
FRONT VIEW

Item	Qty.	Description
19	1	84"h TSP46 Vertical Extrusion
20	1	84"h TSP46 Vertical Extrusion
21	1	57.75"w TSP46 Horizontal Extrusion
22	1	57.75"w TSP46 Horizontal Extrusion
23	1	84"h TSP46 Vertical Extrusion
24	1	84"h TSP46 Vertical Extrusion
25	1	22"w TSP46 Horizontal Extrusion
26	1	22"w TSP46 Horizontal Extrusion

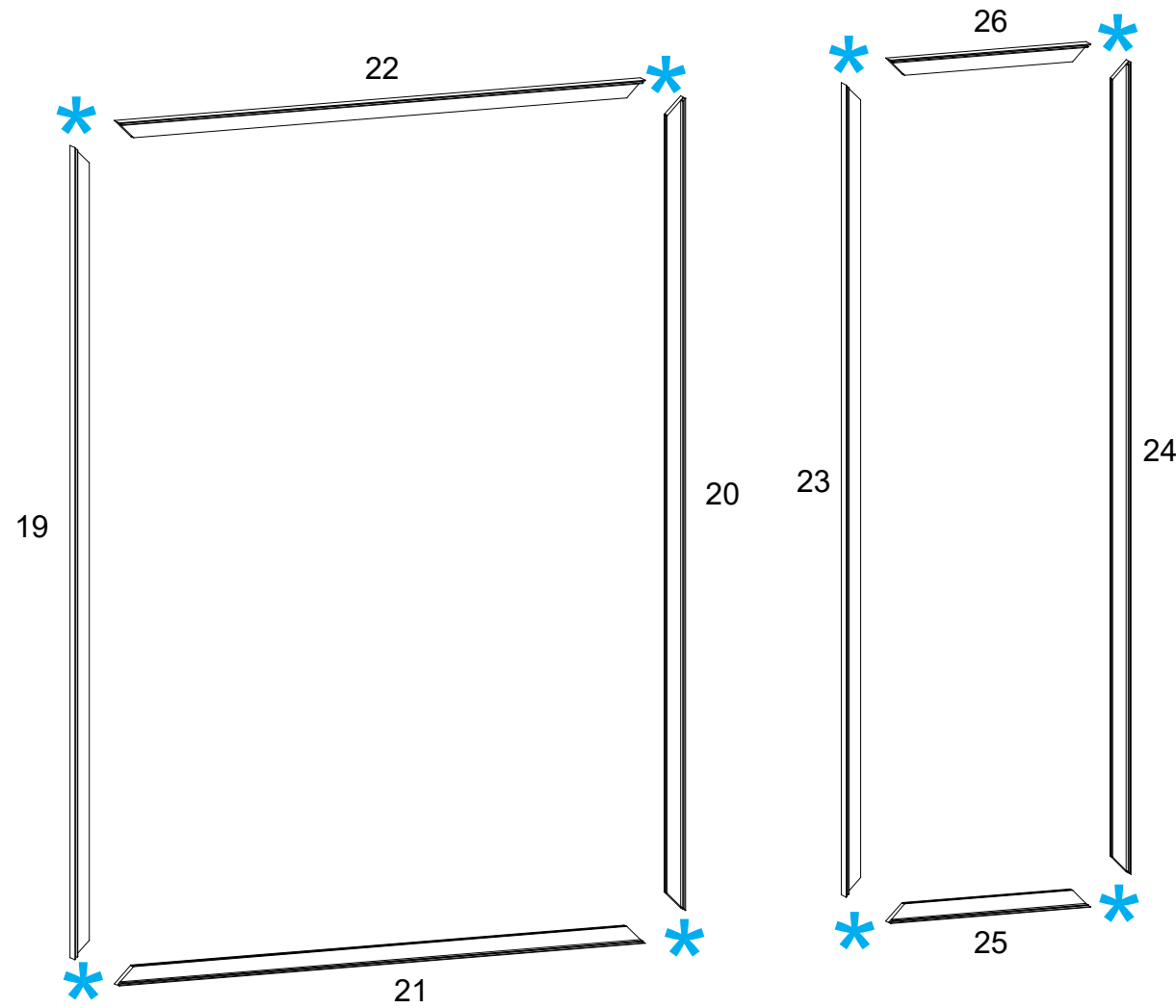
Steps:
1) Assemble horizontal & vertical extrusions [19] through [26] together as shown. See [TSP46 Corner Connection](#) detail.



When assembled



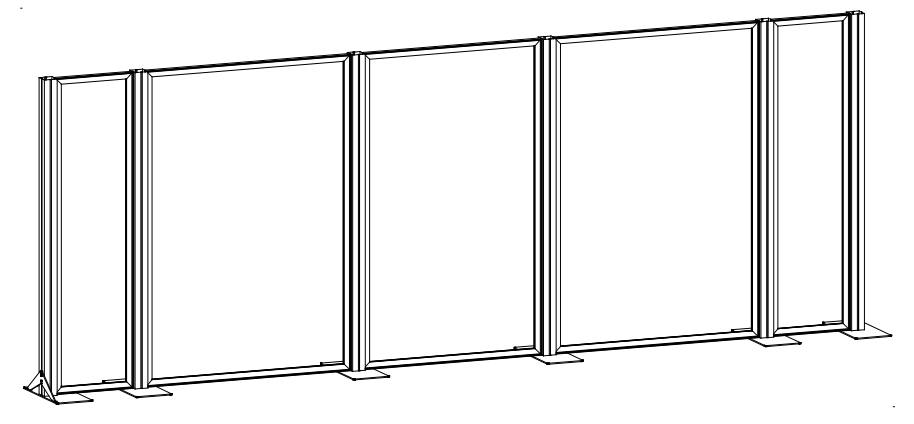
Assemble frame flat on ground.



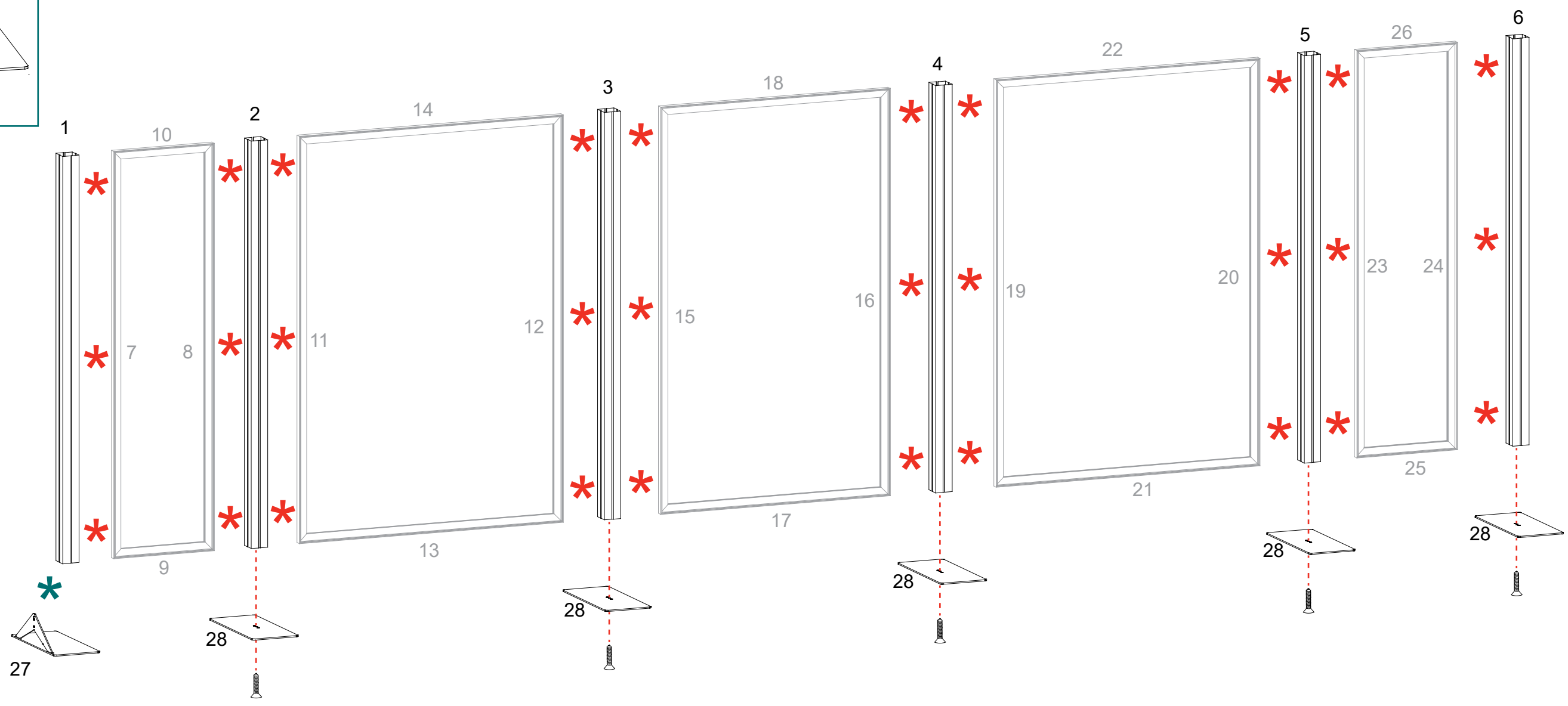
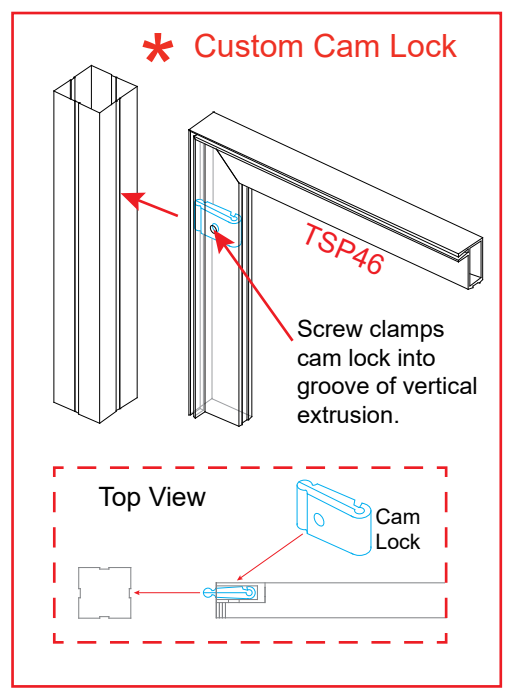
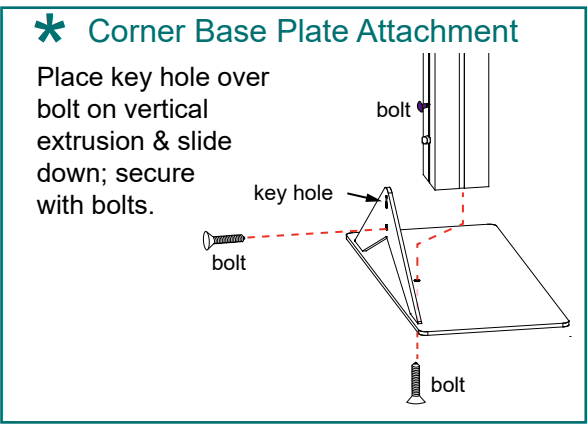
FRONT VIEW

Item	Qty.	Description
1	1	84"h Q914 Vertical Extrusion
2	1	84"h Q914 Vertical Extrusion
3	1	84"h Q914 Vertical Extrusion
4	1	84"h Q914 Vertical Extrusion
5	1	84"h Q914 Vertical Extrusion
6	1	84"h Q914 Vertical Extrusion
27	1	Corner Base Plate w/ Boomerang Leg
28	5	23" x 10" Base Plate

- Steps:
- 1) Connect Corner Base Plate [27] to vertical [1] as shown. See [Corner Base Plate Attachment](#) detail.
 - 2) Attach Base Plates [28] to bottom of verticals [2,3,4,5,6], using bolts.
 - 3) Connect TSP frame assemblies [7/8/9/10], [11/12/13/14], [15/16/17/18], [19/20/21/22] & [23/24/25/26] between verticals [1,2,3,4,5,6] as shown, using cam locks. See [Custom Cam Lock](#) detail.

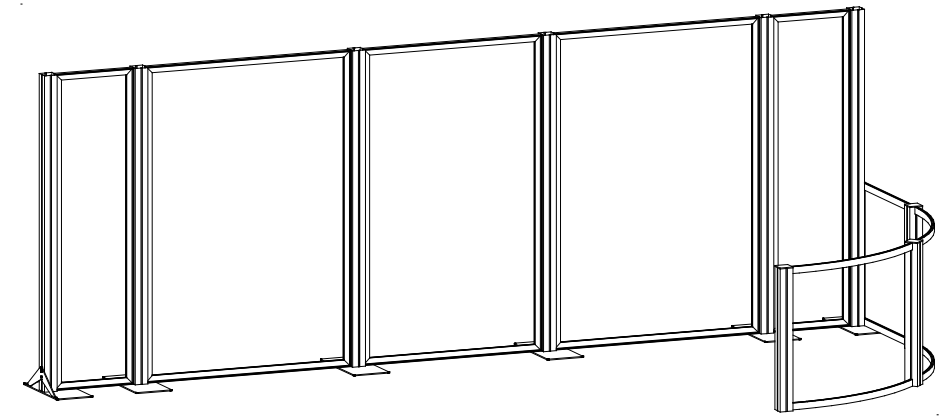


When assembled

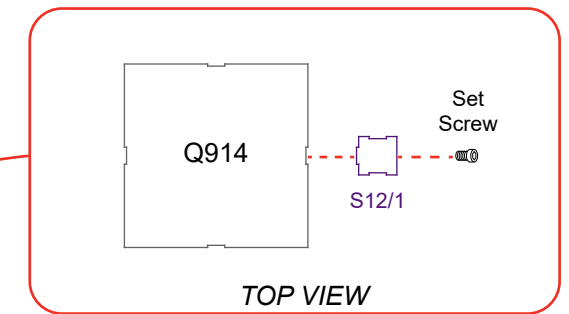
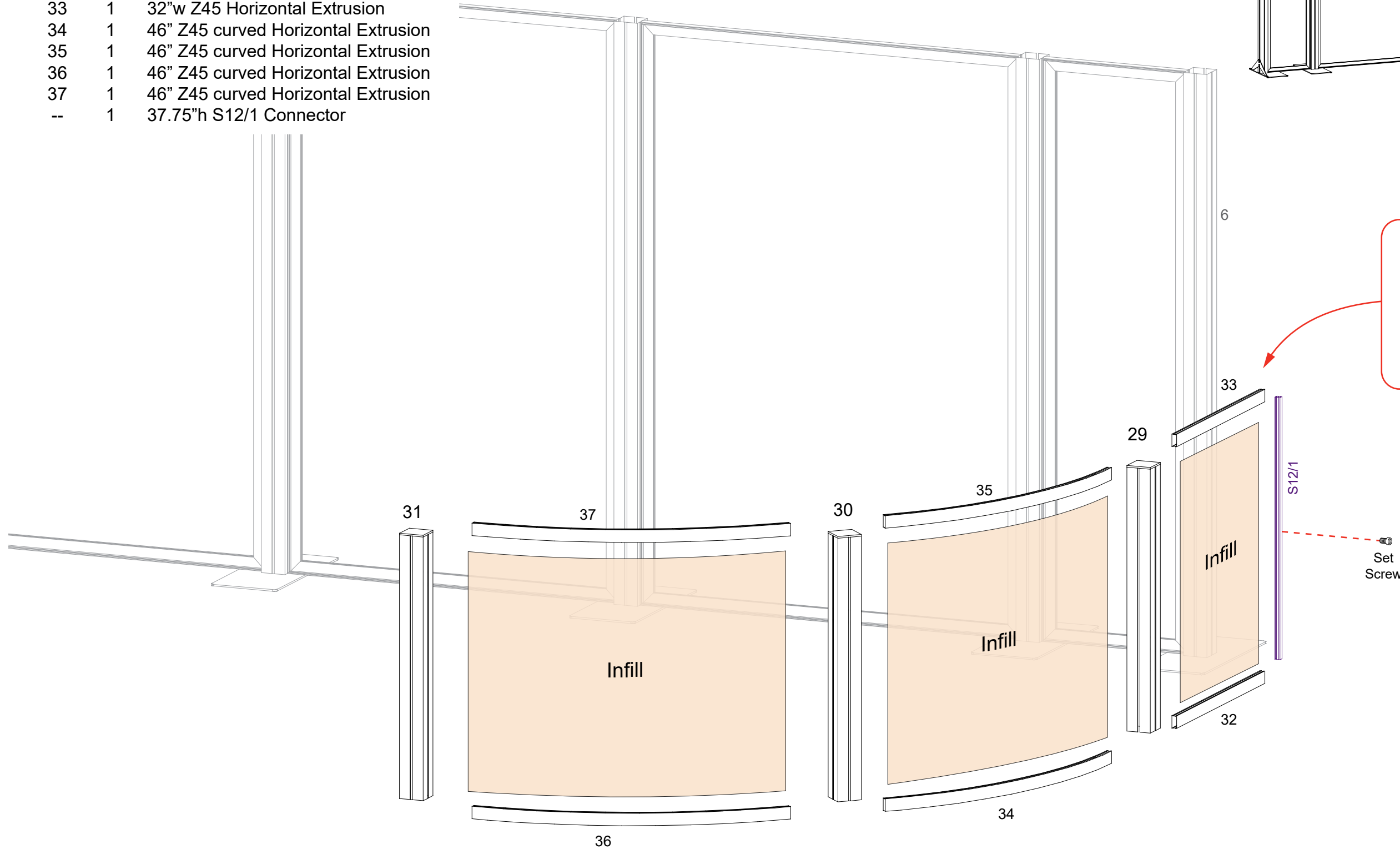


Item	Qty.	Description
29	1	38" h Q914 Vertical Extrusion
30	1	38" h Q914 Vertical Extrusion
31	1	38" h Q914 Vertical Extrusion
32	1	32" w Z45 Horizontal Extrusion
33	1	32" w Z45 Horizontal Extrusion
34	1	46" Z45 curved Horizontal Extrusion
35	1	46" Z45 curved Horizontal Extrusion
36	1	46" Z45 curved Horizontal Extrusion
37	1	46" Z45 curved Horizontal Extrusion
--	1	37.75" h S12/1 Connector

Steps:
 1) Attach S12/1 to side of vertical [6], using set screw.
 2) Connect horizontals [32] through [37] between verticals [29,30,31] as shown, **inserting** Infills.

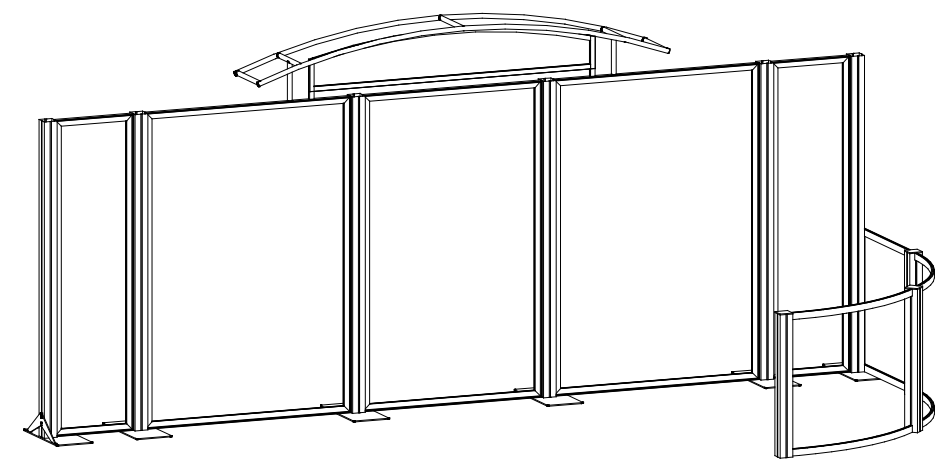


When assembled

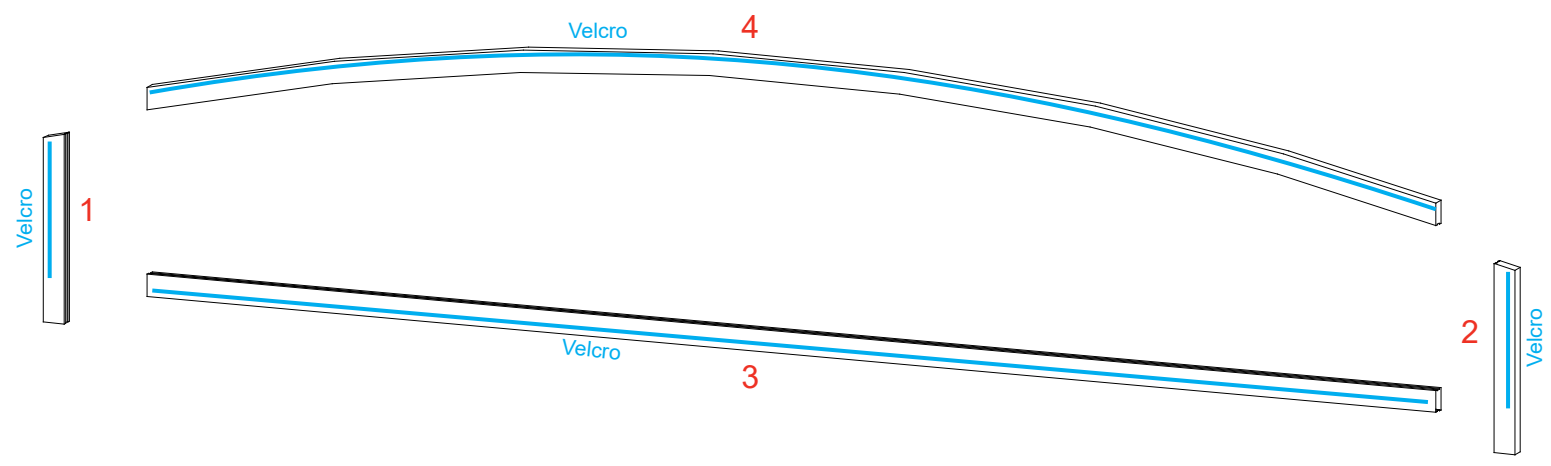


Item	Qty.	Description
1	1	10.815”h Z31 Vertical Extrusion
2	1	10.815”h Z31 Vertical Extrusion
3	1	77.98”w Z31 Horizontal Extrusion
4	1	78.81” Z31 curved Horizontal Extrusion

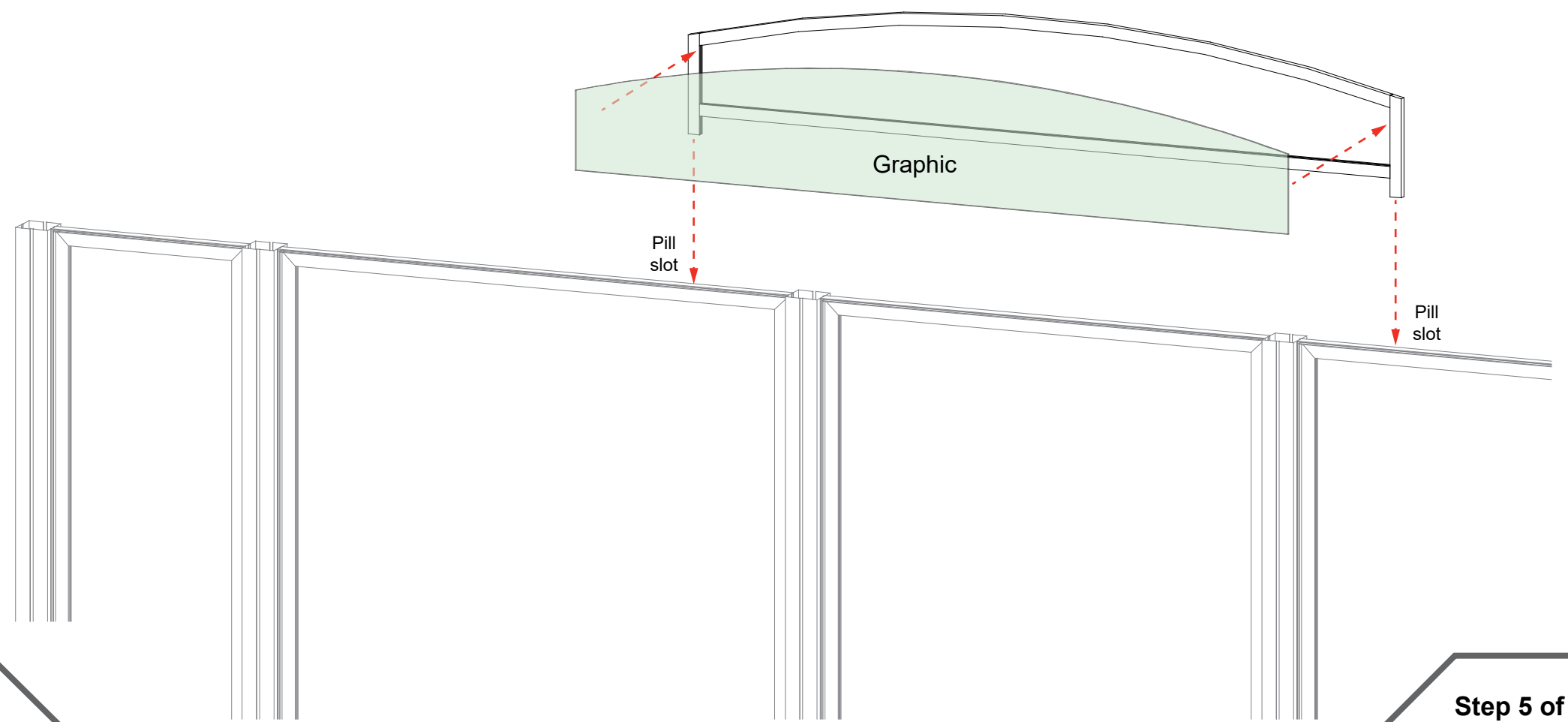
- Steps:
- 1) Connect extrusions [3,4] between verticals [1,2], with Velcro facing the front of the booth.
 - 2) Attach verticals [1,2] to pill slots on top of backwall assembly, as shown.
 - 3) Apply Graphic to front of header frame, using Velcro.



When assembled



FRONT VIEW



AERO

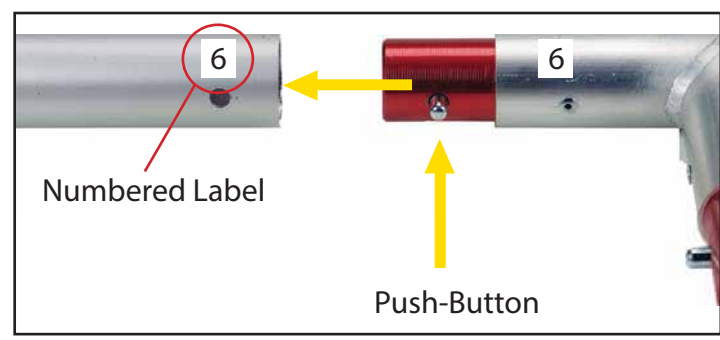
Using Your Setup Instructions

The Aero Setup Instructions are created specifically for your configuration. The instructions include an exploded view of the frame which is sequentially labeled. We encourage you to review the instructions before attempting to assemble your exhibit.

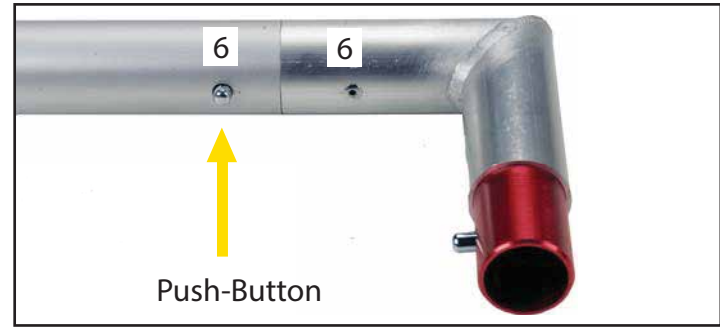
Connections are kept very simple; no tools required. Everything assembles with push-button connectors.

Cleaning and Packing Your Display

- 1) Use care when cleaning aluminum extrusion or acrylic inserts. Use only non-abrasive cleaners.
- 2) Retain all packing material. It will make re-packing much easier and will reduce the likelihood of shipping damage.

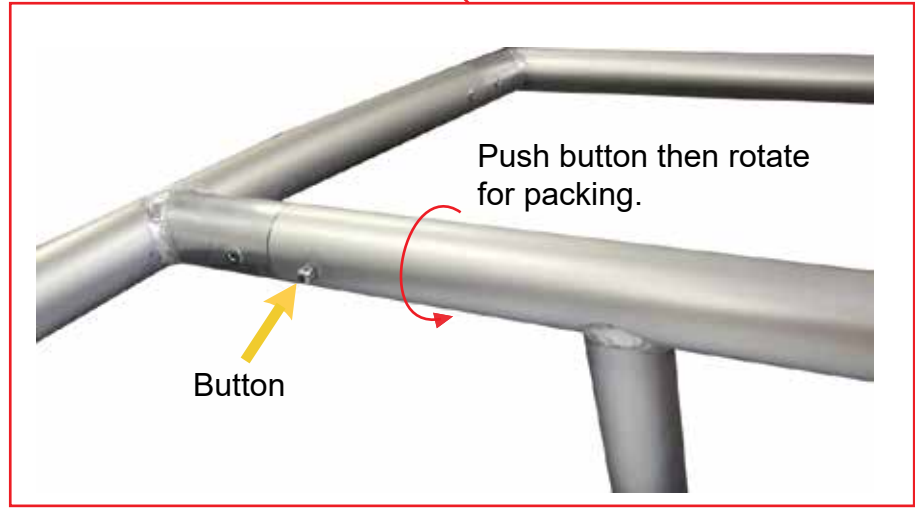
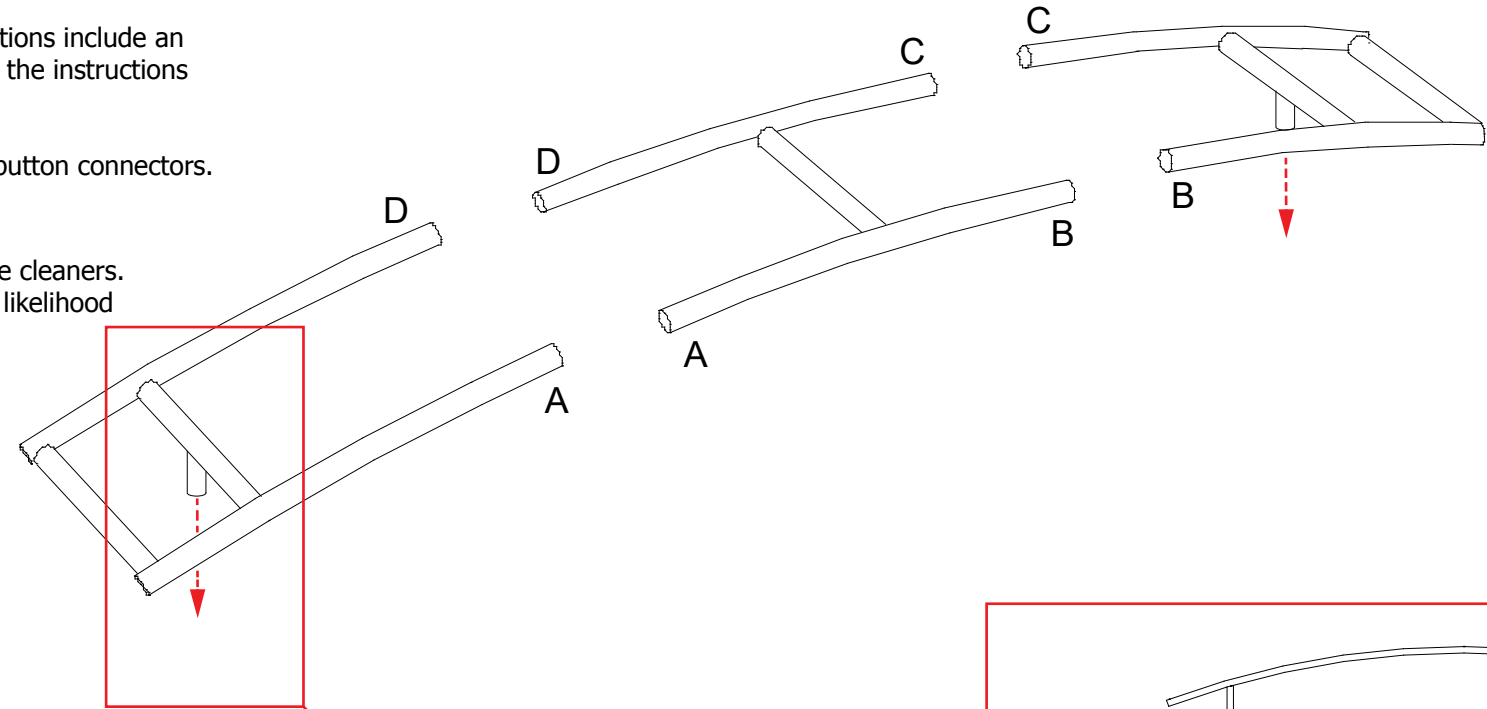


Connections are made by holding the button down and sliding the red tube into opposing tube until button locks into the hole of the opposing tube. To disassemble, push button and pull or twist extrusions apart.



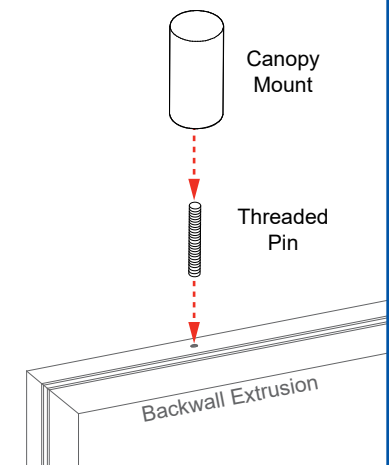
Steps:

- 1) Connect canopy pieces together as shown.
- 2) Apply pillowcase graphic to assembled canopy.
- 3) Install Canopy Mounts to top of backwall extrusion; place Aero Frame onto Canopy Mounts.
See [Canopy Attachment](#) detail.

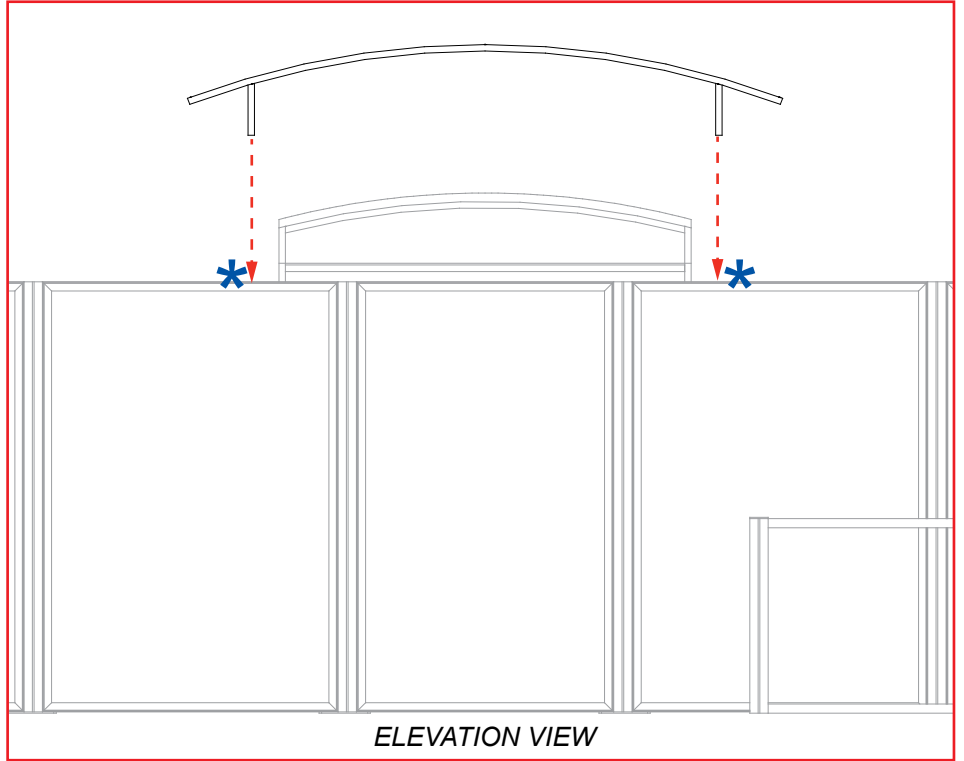


* Canopy Attachment

- 1) Insert threaded pin into top of horizontal extrusion.
- 2) Attach Canopy Mount to threaded pin. Twist to tighten.

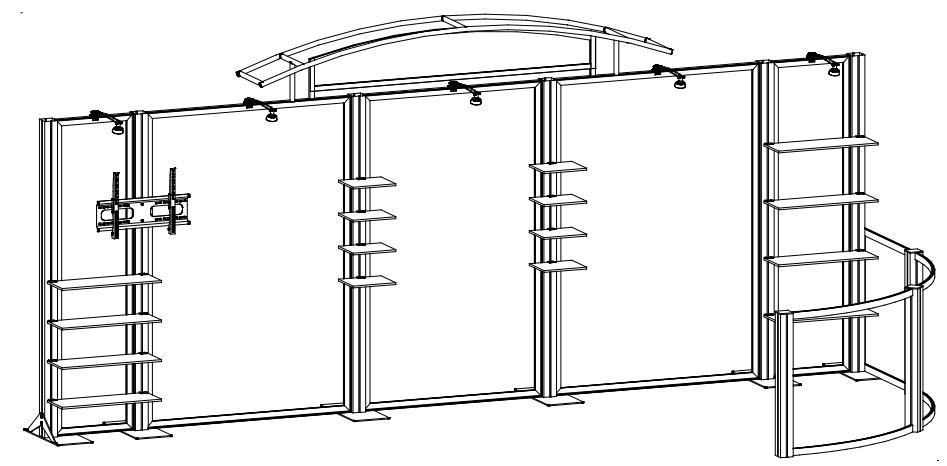


- 3) Place Aero Frame over Canopy Mounts.



Item	Qty.	Description
--	8	12" x 10" Small Acrylic Shelf
	8	28" x 10" Large Acrylic Shelf

- Steps:
- 1) Install lights to top of backwall. See [Light Attachment](#) detail.
 - 2) Install Monitor Mount to vertical [2]. See [Monitor Mount Attachment](#) detail.
 - 3) Attach large shelves to verticals [1,2], [5,6] using A11 Clamps. See [A11 Clamp Attachment](#) detail.
 - 4) Connect small shelves to verticals [3], [4]. See [A11 Clamp Attachment](#) detail.



Completed Assembly

*** A11 Clamp Attachment**

Slide A11 clamp into groove of extrusion. Tighten set screw to secure connector.

Tighten knob on bottom to secure shelf in place.

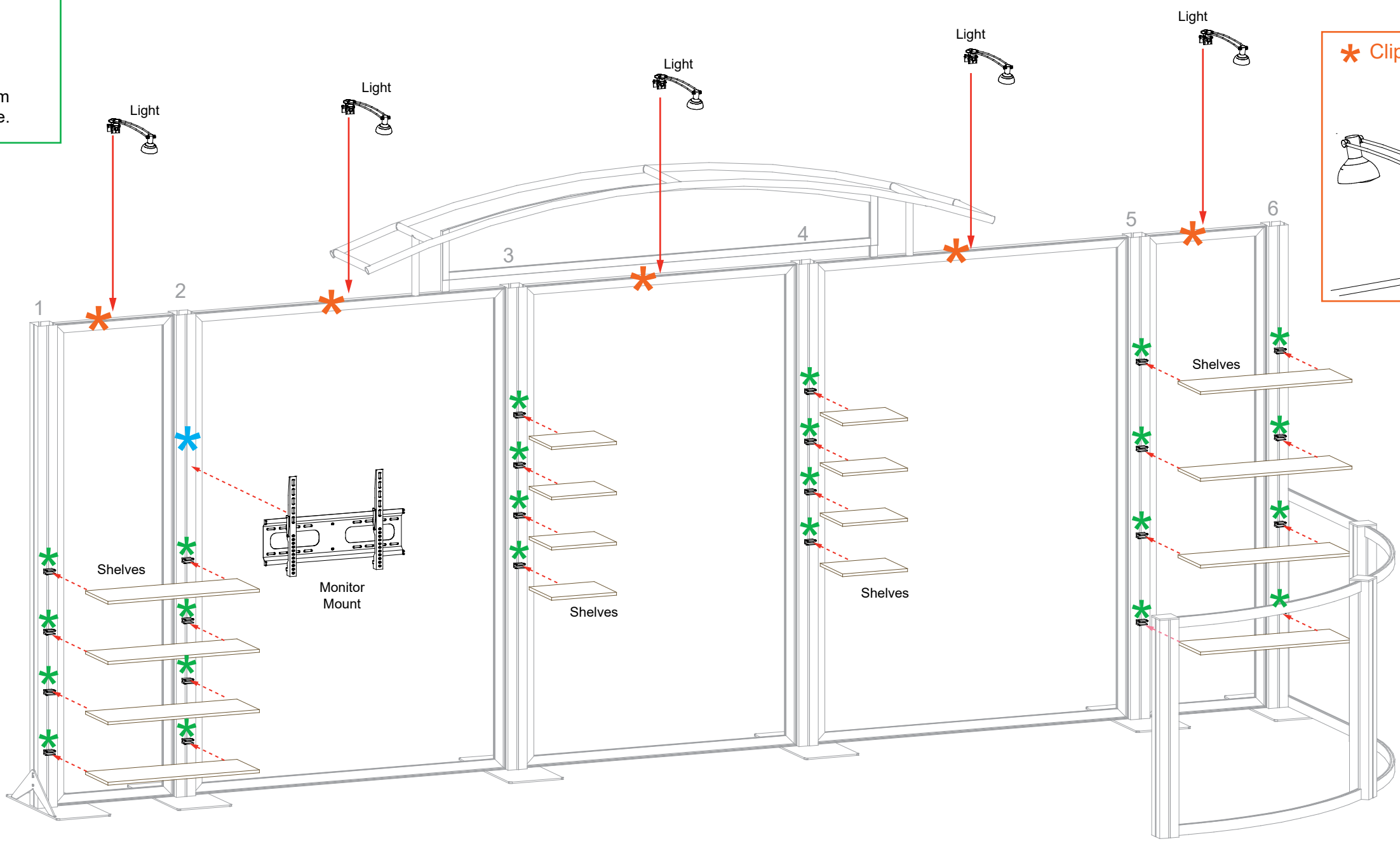
*** Monitor Mount Attachment**

Slide V4 connectors into vertical channel of extrusions. Tighten set screws to secure.

Attach Monitor Mount to V4 connectors using bolts.

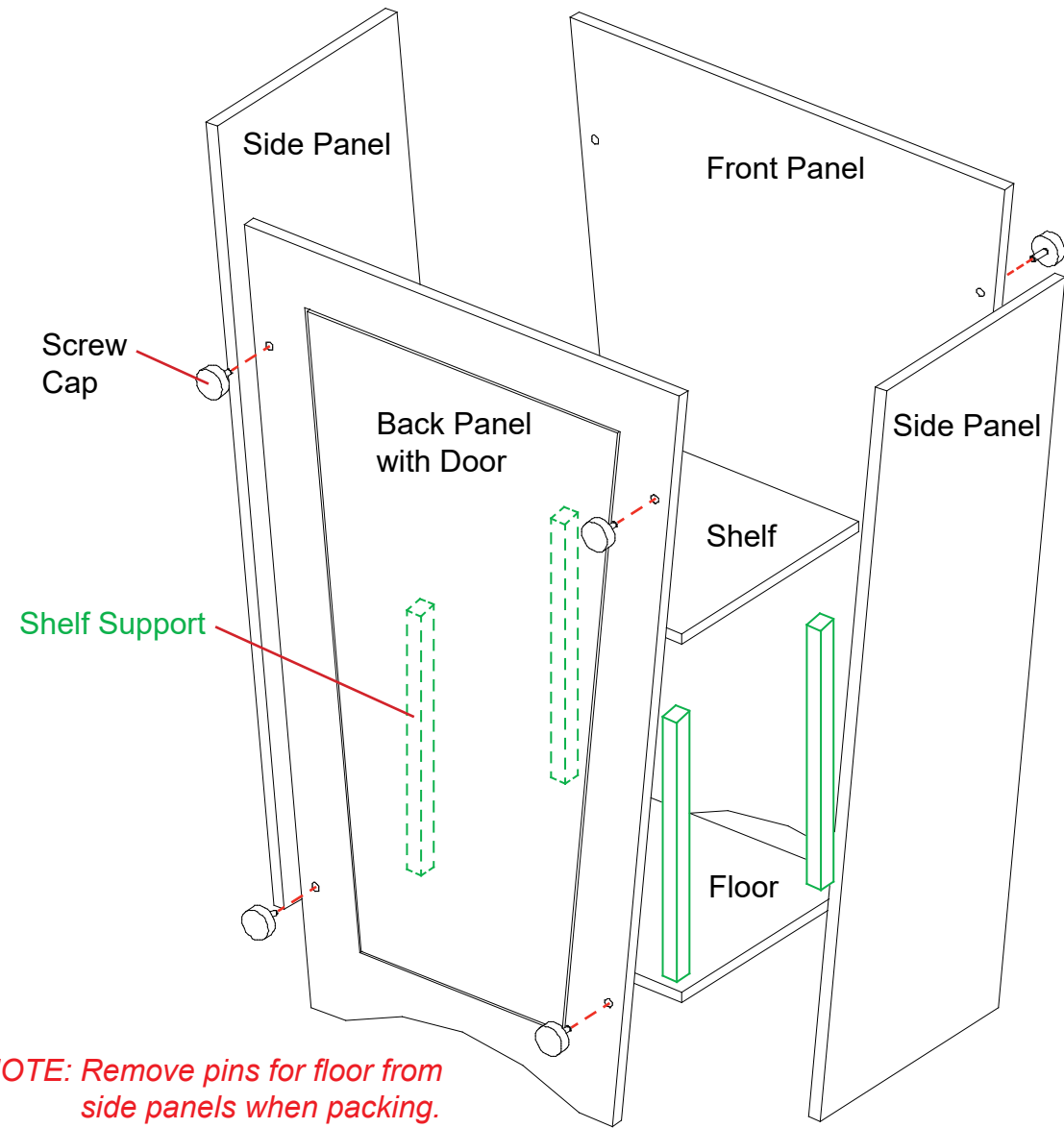
*** Clip Light Attachment**

Attach lights to Horizontal where desired and tighten in place.

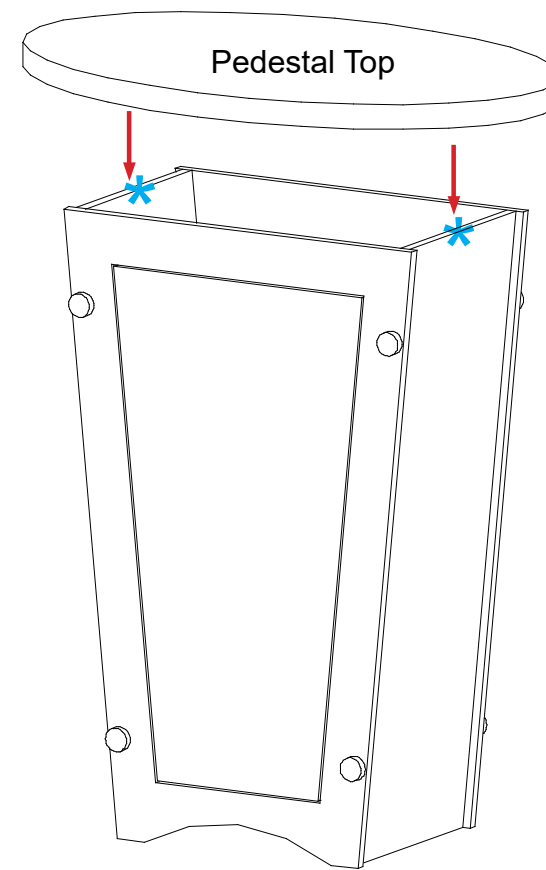


Setup Instructions:

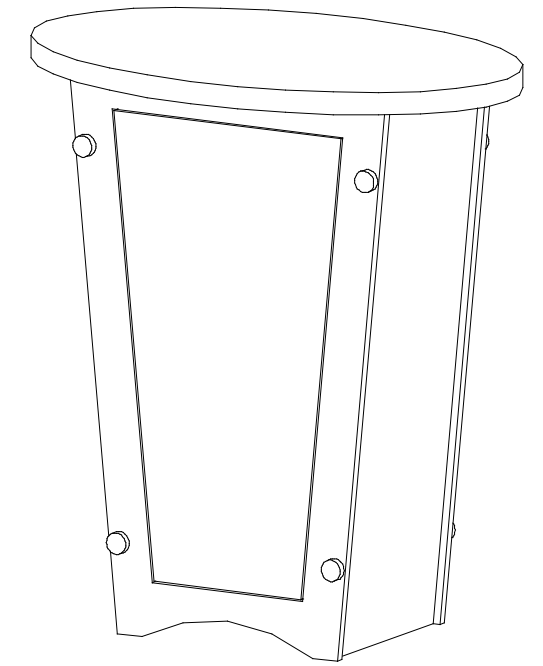
- 1) Attach pins at bottom interior of side panels. *Note: Pins are designed to be slightly angled.*
- 2) Use screw caps to secure the side panels to front panel and back panel with door.
- 3) Slide floor into the bottom of assembled pedestal base. The floor will sit on pins of the side panels.
- 4) Connect shelf supports with Velcro inside of panels, then place shelf on top of supports.
- 5) Attach pedestal top to assembled pedestal base. See [Pedestal Top Attachment](#) detail.



Pedestal Base Assembly



Pedestal Top Attachment



Completed Pedestal Assembly

