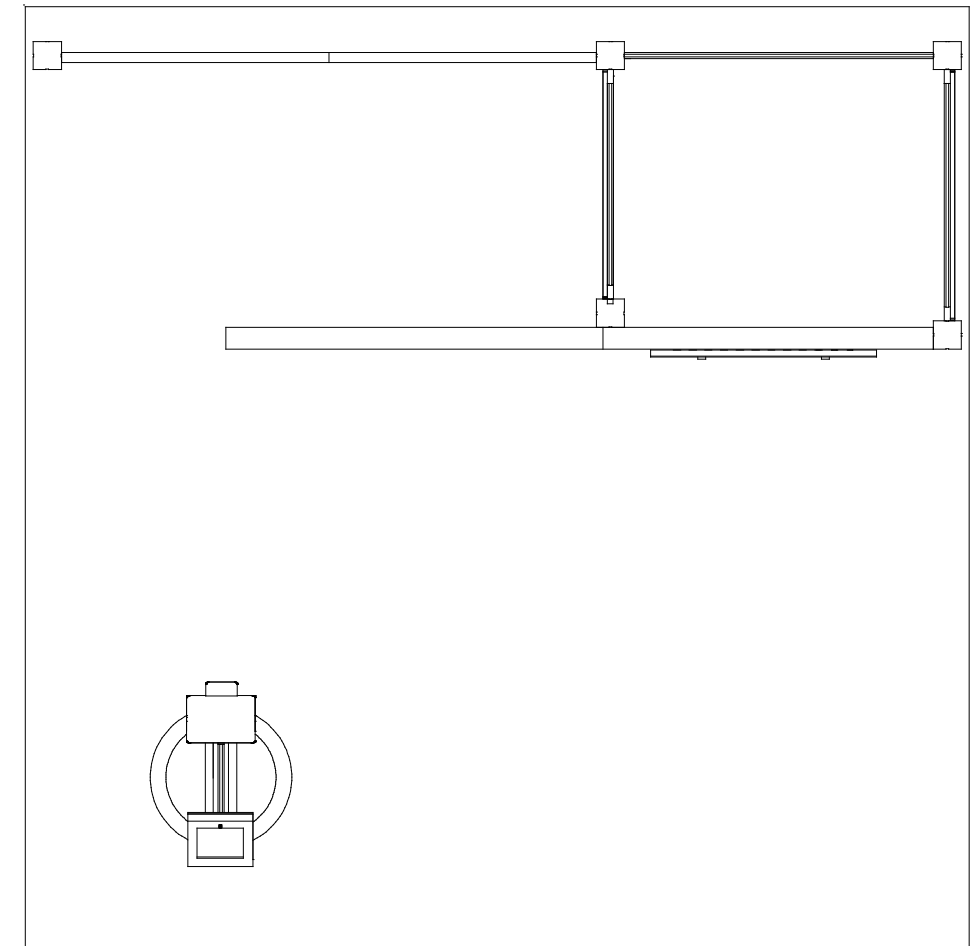


Perspective View



Plan View 10'

10'

WHEN DISASSEMBLING ALUMINUM EXTRUSION, TIGHTEN ALL SETSCREWS AND LOCKS TO PREVENT LOSS DURING SHIPPING



visionary™ IDESIGNS

Using Your Setup Instructions

The Visionary Designs Setup Instructions are created specifically for your configuration. They are laid out sequentially, including an exploded view of the entire display, and then a logical series of detailed steps to assemble the main structure and components. We encourage you to study the instructions **before** attempting to assemble your exhibit.

Each page reminds you to tighten the setscrews after disassembling your exhibit to prevent loss of the locks and setscrews (see below in RED). This is **VERY IMPORTANT**.

Cleaning and Packing Your Display

- 1) Use care when cleaning aluminum extrusion or acrylic inserts. Use only non-abrasive cleaners.
- 2) When cleaning laminate inserts or countertops, use mild cleansers and a soft material such as cotton.
- 3) Keep all display components away from extreme heat and long exposure to sunlight to avoid warping and fading.
- 4) Retain all packing material. It will make re-packing much easier and will reduce the likelihood of shipping damage.



The Tool

Most Visionary Designs exhibits can be assembled with the supplied Hex Key Tool. Occasionally, a flat head screwdriver may be required.

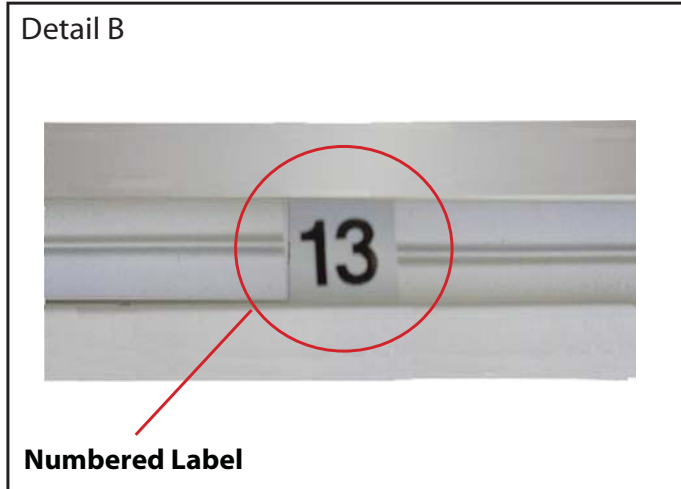


Typical Connection

Most horizontal extrusion connections have a patented expandable lock. This lock inserts into the groove of an opposing extrusion. Tightening the lock with the Hex Key Tool expands the lock and creates a strong positive connection.



Typical Connection (cont'd)



Detail B

Numbered Label

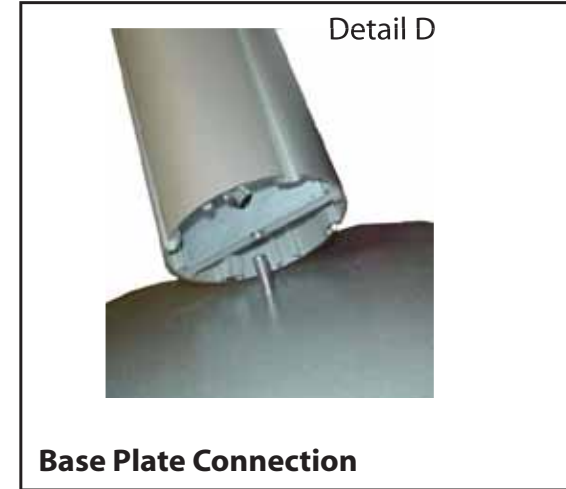
Each extrusion contains a numbered label which corresponds with setup instructions. The label is located within a groove of the extrusion (when possible). With Visionary Designs the labels contain Black numbers unless otherwise specified.



Detail C

Horizontal Inline Connection (remove only one setscrew)

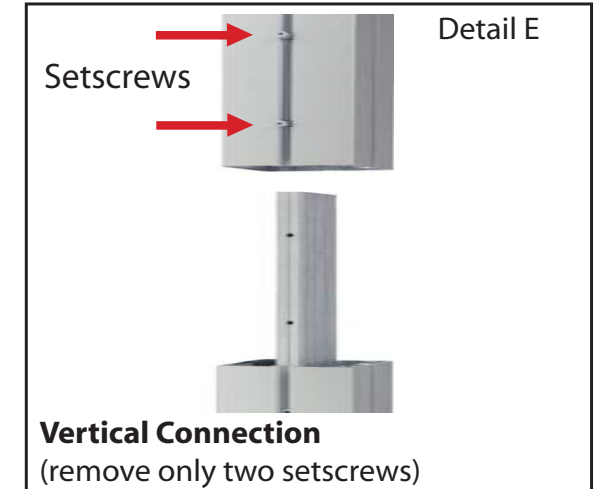
Remove only (1) setscrew when disassembling. Replace setscrew in extrusion after assembling it. Before packing, replace setscrew in extrusion to avoid losing it.



Detail D

Base Plate Connection

Attach base plate to round or square vertical extrusion using the bolt provided. Be careful not to strip the threads.



Detail E

Vertical Connection
(remove only two setscrews)

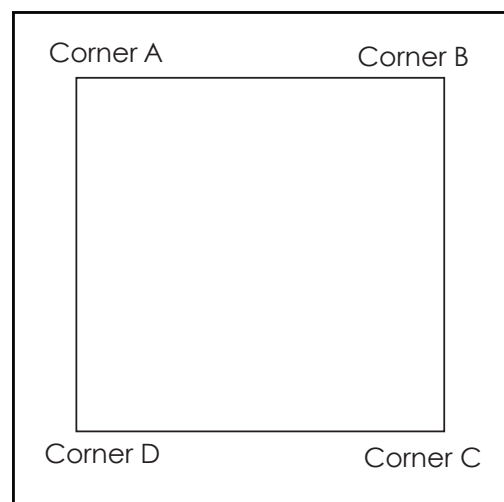
When vertical extrusions are packed in portable cases rather than crates or tubs, they must be broken down into smaller sections which then require assembly.

Remove only (2) setscrews when disassembling. Replace setscrews in extrusion after assembling it. Before packing, replace setscrews in extrusion to avoid losing them.

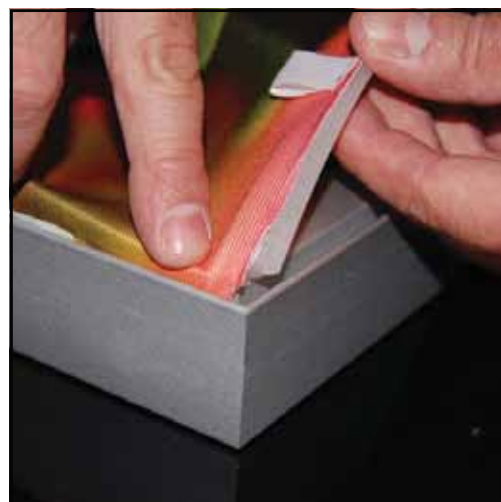
WHEN DISASSEMBLING ALUMINUM EXTRUSION, TIGHTEN ALL SETSCREWS AND LOCKS TO PREVENT LOSS DURING SHIPPING

SEG Graphic Installation

Graphic: To Ensure Proper Fit



It is important to first insert graphic into each alternater corner then to the sides of the frame.
If this is not done, graphic will not fit into the frame correctly.



Step 1
Insert corner A.
Turn edge of graphic so silicon welt is perpendicular to face of graphic. Insert narrow side of welt with fabric to outside into the channel. Repeat for other side of this corner.

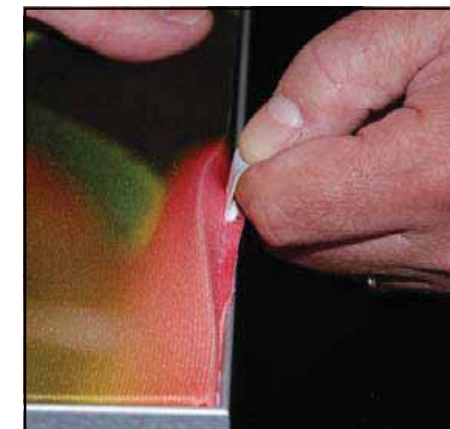


Step 2
Repeat Step 1 for opposite corner C, then insert corner B, followed by corner corner D, to complete the installation of the corners.



Step 3
Once all corners are inserted, press one silicon edge into channel from corners and work toward the center. Make sure welt is fully inserted into channel. Continue until all sides are done. Smooth out edges of graphic.

Graphic Removal



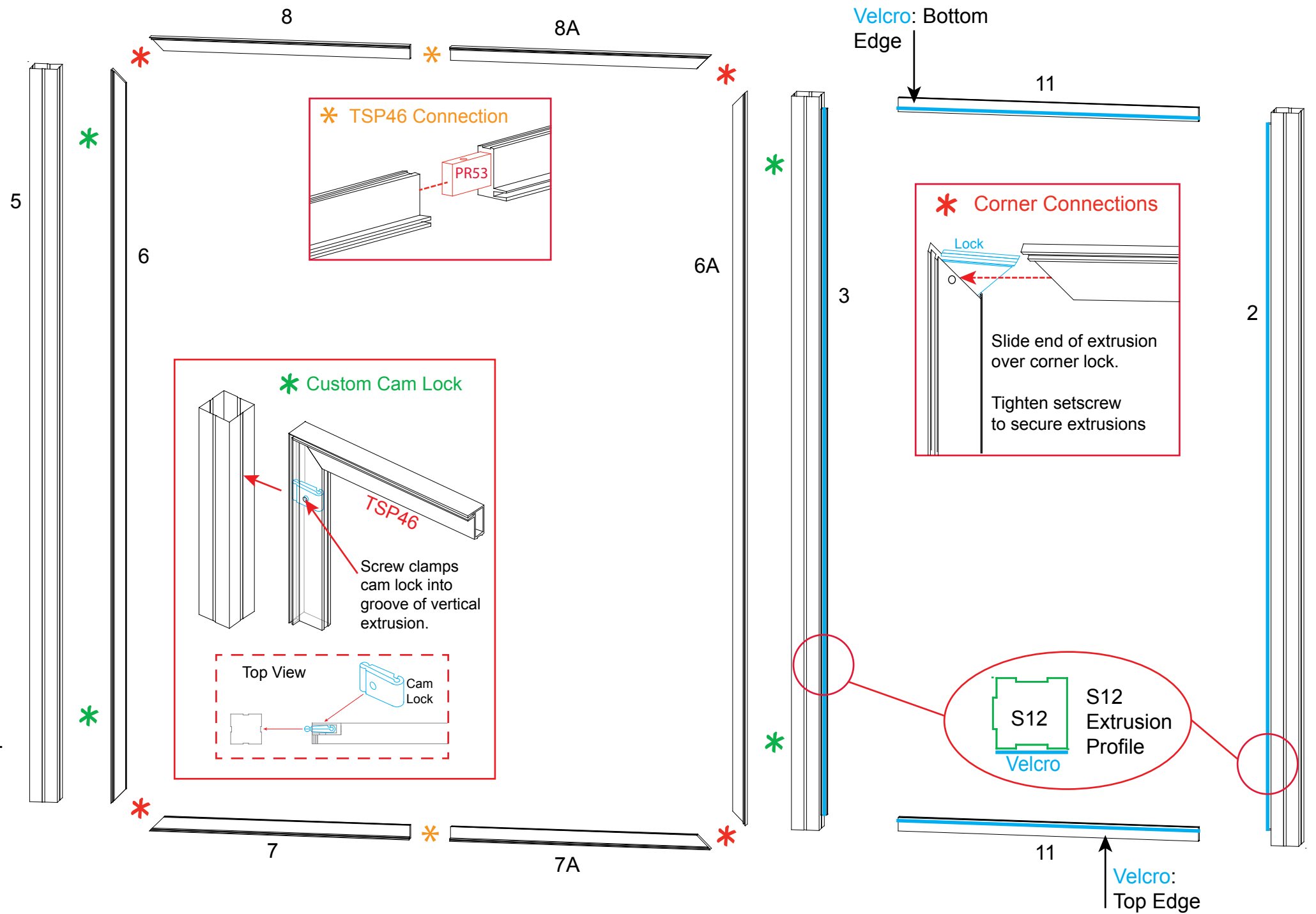
To remove the graphic from the frame, locate the fabric pull tab. Gently pull up on the tab to remove the fabric.

WHEN DISASSEMBLING ALUMINUM EXTRUSION, TIGHTEN ALL SETSCREWS AND LOCKS TO PREVENT LOSS DURING SHIPPING

Item	Qty.	Description
1	1	96" h Q914 Square Vertical Extrusion
2	1	96" h Q914 Square Vertical Extrusion
3	1	96" h Q914 Square Vertical Extrusion
4	1	96" h Q914 Square Vertical Extrusion
5	1	96" h Q914 Square Vertical Extrusion
6/6A	1/1	96" h TSP46 Vertical Extrusion
7/7A	1/1	34" w TSP46 Horizontal Extrusion
8/8A	1/1	34" w TSP46 Horizontal Extrusion
11	2	39.275" w Z45 Horizontal Extrusion

Steps:

- 1) Connect vertical extrusion [6] to vertical [5].
See **Custom Cam Lock** detail.
Repeat step for connecting verticals [3] & [6A].
- 2) Attach horizontal extrusions [11] between verticals [2] & [3].
NOTE: Velcro needs to face interior of setup.
- 3) Assemble horizontals [7] & [7A].
See **TSP46 Connection** detail.
Repeat step for horizontals [8] & [8A].
- 4) Connect assembled horizontals between vertical assemblies [5/6] & [3/6A]. See **Corner Connections** detail.
- 5) Apply fabric blocker with velcro to the velcro on [2/3/11].
- 6) Install SEG Fabric Graphic to [6/6A/7/7A/8/8A].
See **SEG Graphic Installation** Page in the General Information.

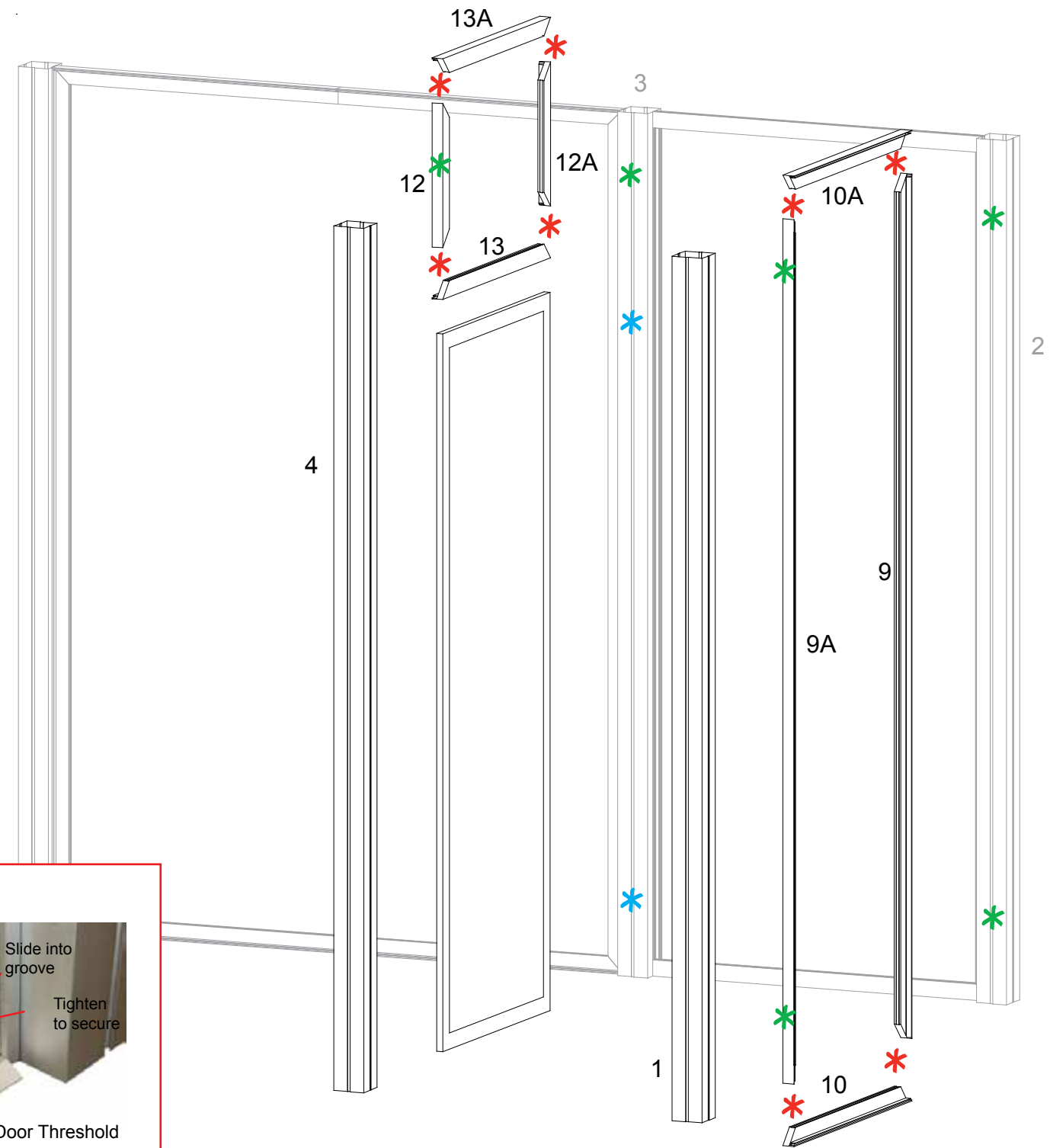
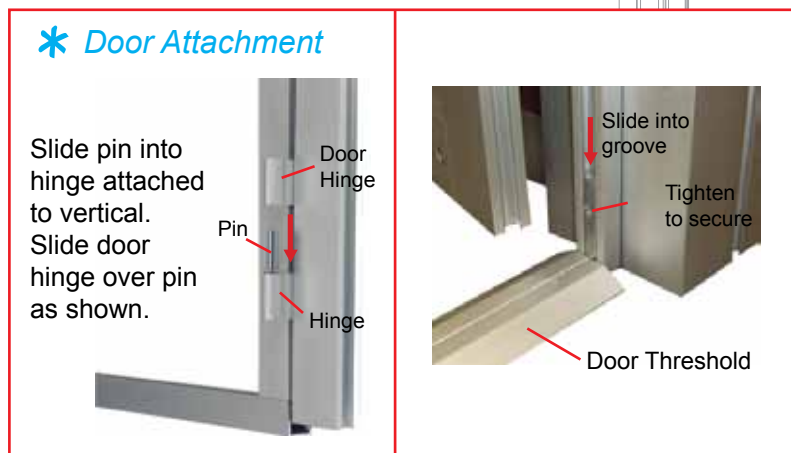
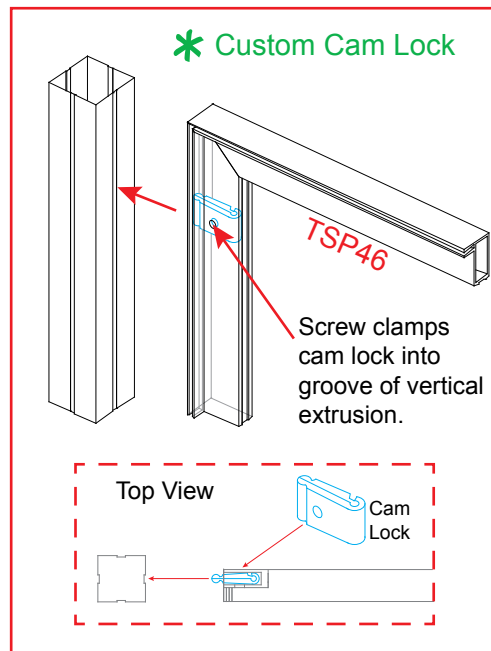
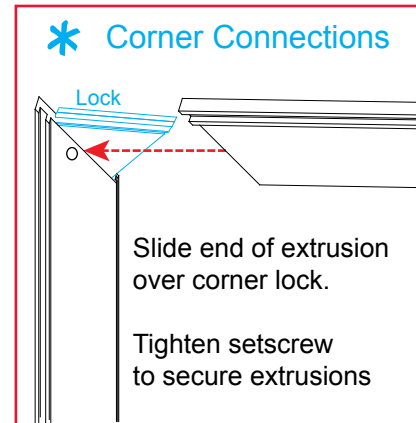


WHEN DISASSEMBLING ALUMINUM EXTRUSION, TIGHTEN ALL SETSCREWS AND LOCKS TO PREVENT LOSS DURING SHIPPING

Item	Qty.	Description
1	1	96"h Q914 Square Vertical Extrusion
4	1	96"h Q914 Square Vertical Extrusion
9/9A	1/1	96"h TSP46 Vertical Extrusion
10/10A	1/1	32"w TSP46 Horizontal Extrusion
12/12A	1/1	16"h TSP46 Vertical Extrusion
13/13A	1/1	29.244"w TSP46 Horizontal Extrusion

Steps:

- 1) Assemble TSP46 extrusions [9/9A/10/10A].
See [Corner Connections](#) detail.
 - 2) Connected assembled TSP frame [9/9A/10/10A] between verticals [1] & [2].
See [Custom Cam Lock](#) detail.
 - 3) Assemble TSP46 extrusions [12/12A/13/13A].
See [Corner Connections](#) detail.
 - 4) Connect assembled TSP frame [12/12A/13/13A] between verticals [3] & [4].
See [Custom Cam Lock](#) detail.
 - 5) Attach assembled door to vertical [3].
See [Door Attachment](#) detail.
 - 6) Apply SEG Graphics to assembled TSP46 Frames.
See [SEG Graphic Installation](#) Page in the General Information.
- NOTE:** SEG Graphics apply to [9/9A/10/10A] & [12/12A/13/13A]



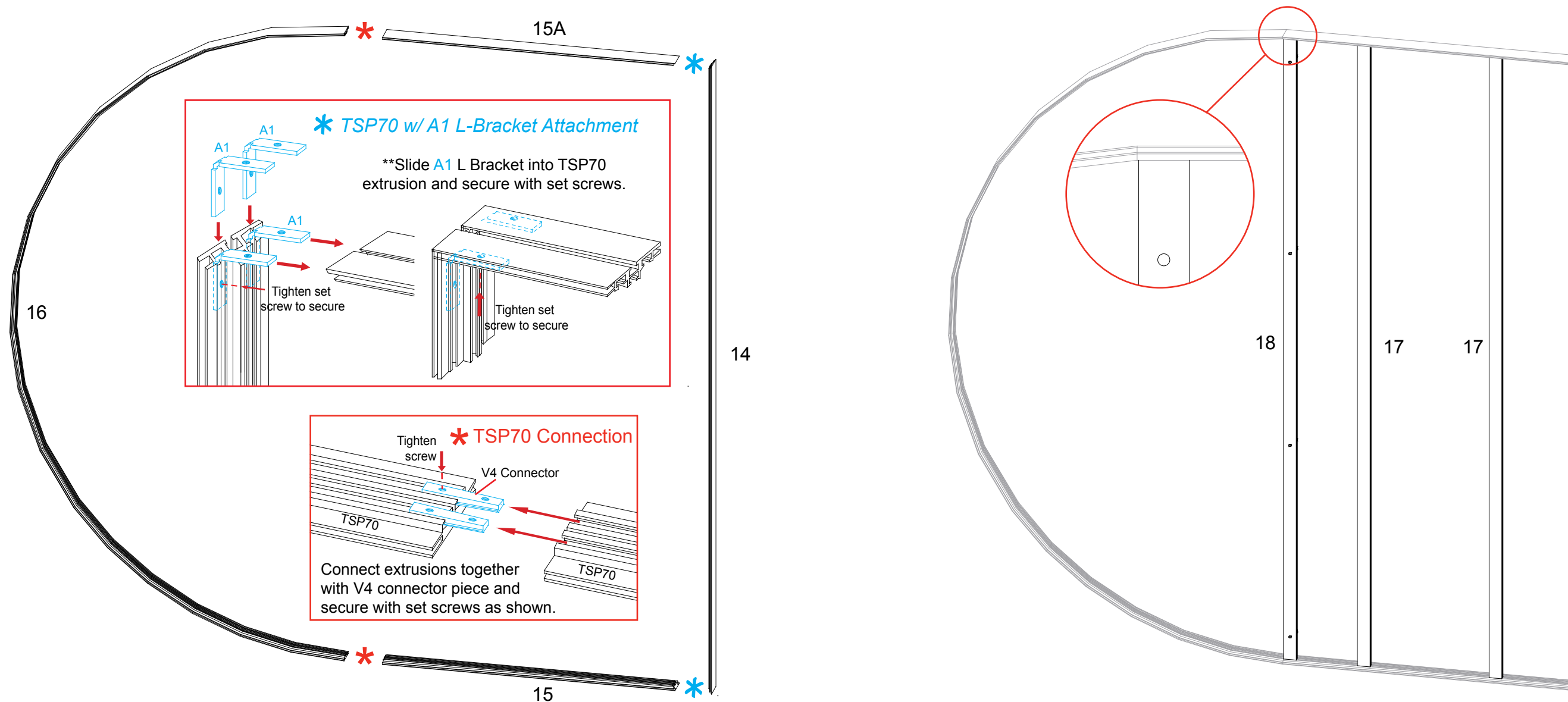
WHEN DISASSEMBLING ALUMINUM EXTRUSION, TIGHTEN ALL SETSCREWS AND LOCKS TO PREVENT LOSS DURING SHIPPING

866.652.2100

Item	Qty.	Description
14	1	96" h TSP70 Vertical Extrusion
15/15A	1/1	42" w TSP70 Horizontal Extrusion
16	1	150.79" h TSP70 Curved Extrusion
17	2	94.937" h Z45 Vertical Extrusion
18	1	94.937" h Z45 Vertical Extrusion w/ Holes

Steps:

- 1) Connect horizontal extrusions [15] & [15A] to vertical extrusion [14]
See [TSP70 w/ A1 L-Bracket Connection](#) detail.
- 2) Attach curved extrusion [16] to the ends of [15] & [15A].
See [TSP70 Connection](#) detail.
- 3) Connect verticals [17] between horizontals [15/15A].
NOTE: must connect in front groove of TSP70.
- 4) Attach vertical [18] at connection point of extrusions [15/15A] & [16].
NOTE: See detail circle.



WHEN DISASSEMBLING ALUMINUM EXTRUSION, TIGHTEN ALL SETSCREWS AND LOCKS TO PREVENT LOSS DURING SHIPPING

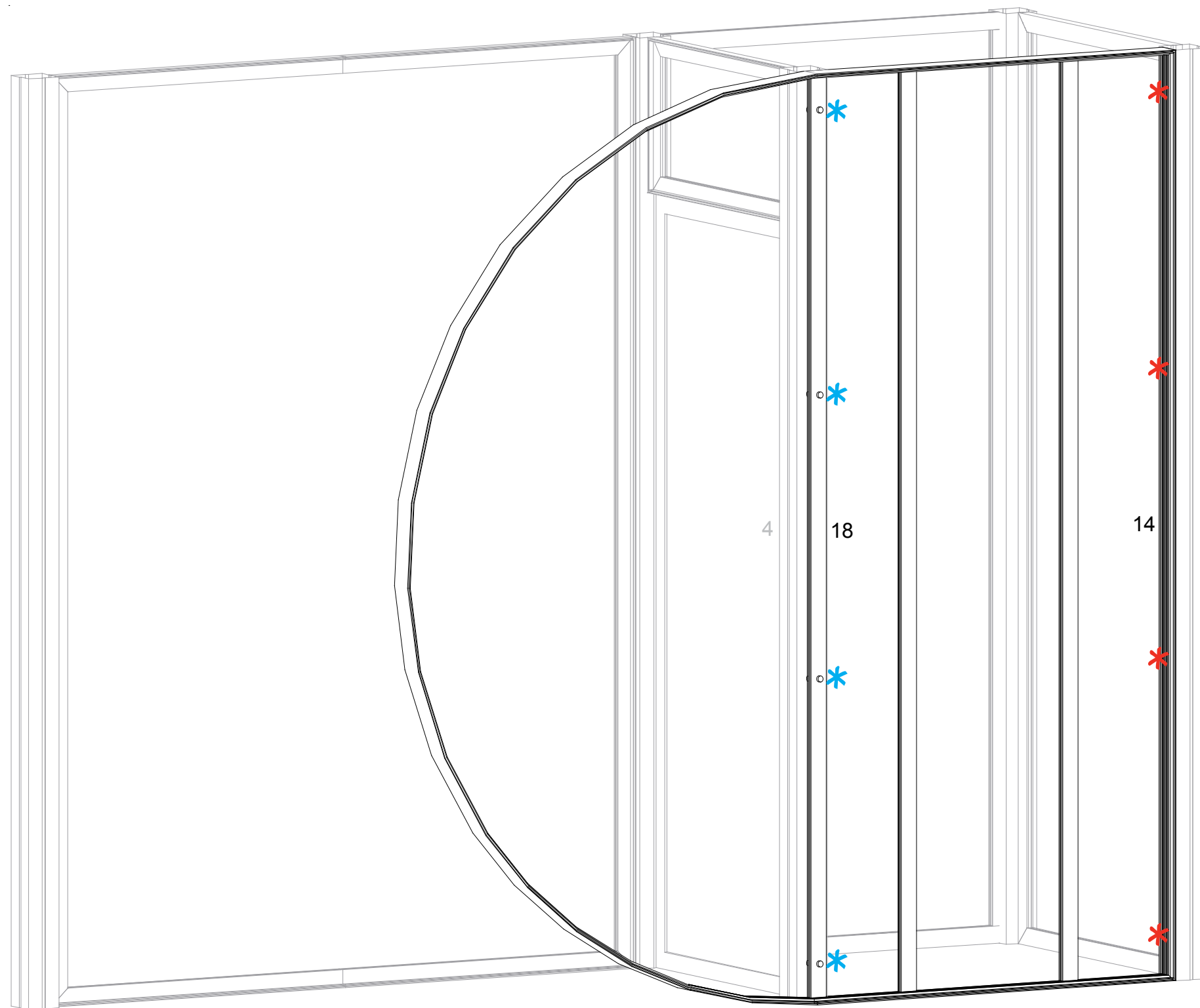
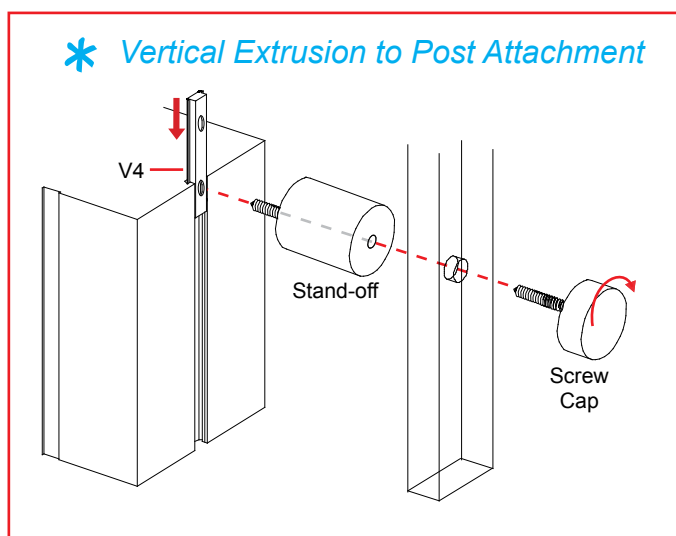
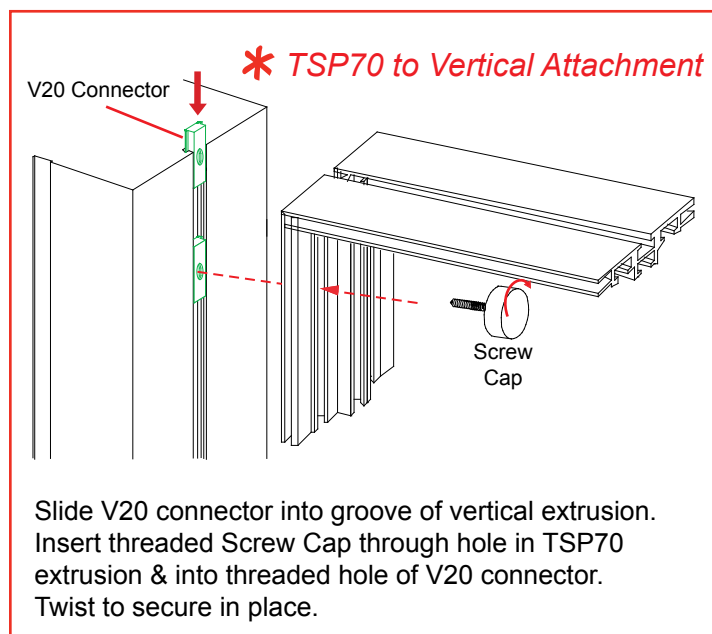
866.652.2100

Steps:

1) Connect assembled D-Frame to assembled backwall by using stand-off barrels & Caps.

NOTE: Extrusion [18] will attach to extrusion [4].
See [Vertical Extrusion to Post Attachment](#) detail.
Extrusion [14] will attach to extrusion [1].
See [TSP70 to Vertical Attachment](#) detail.

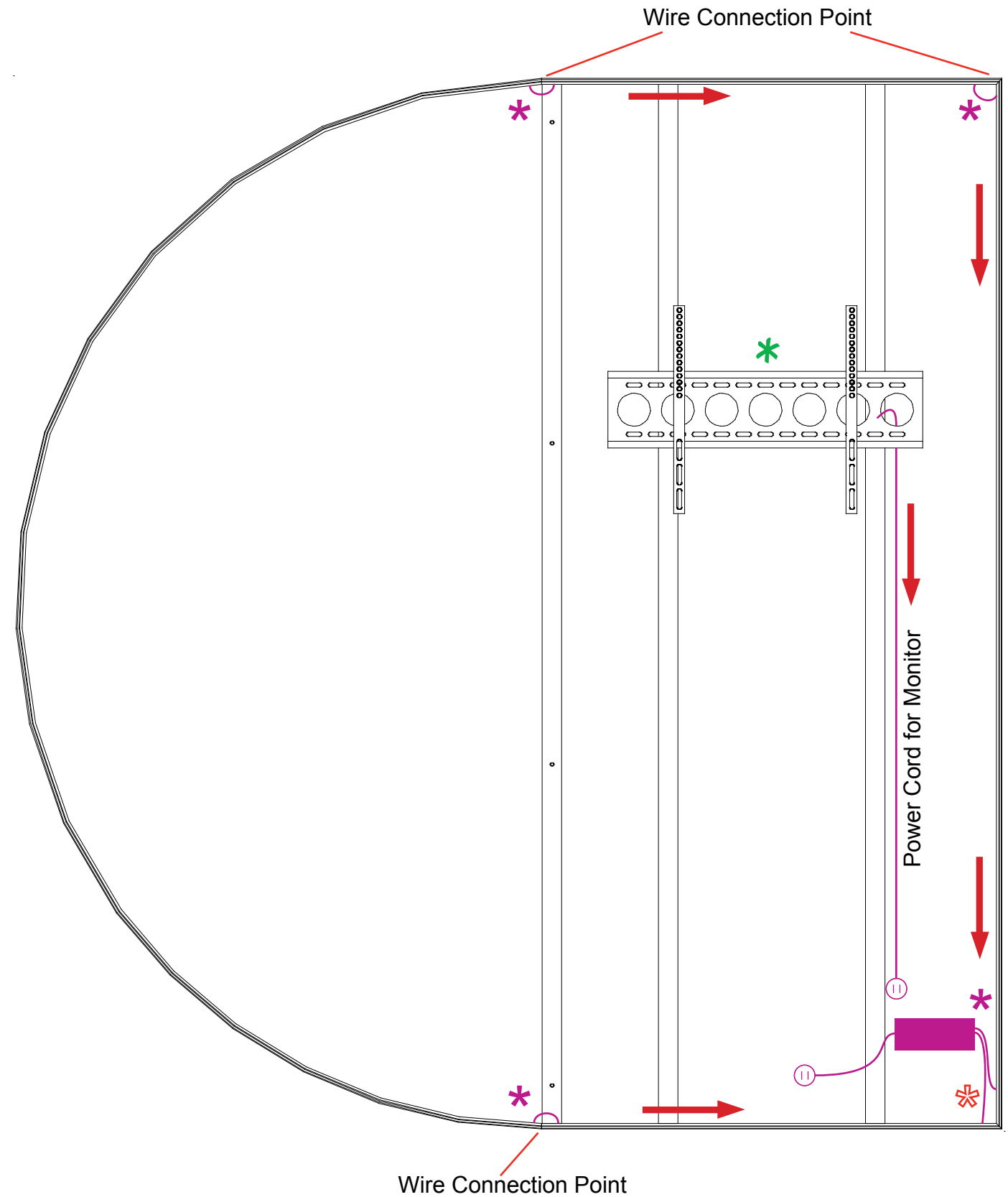
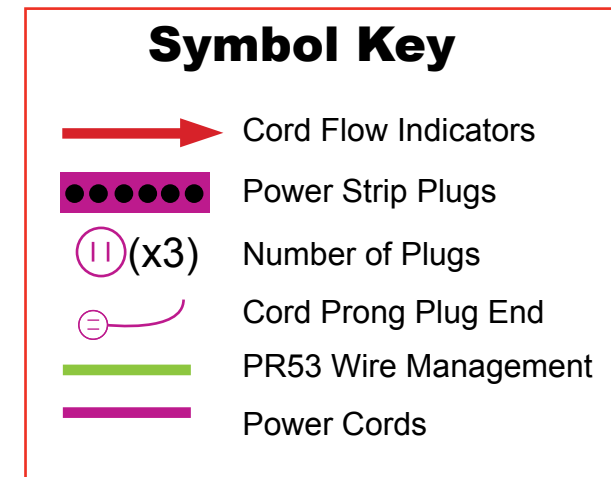
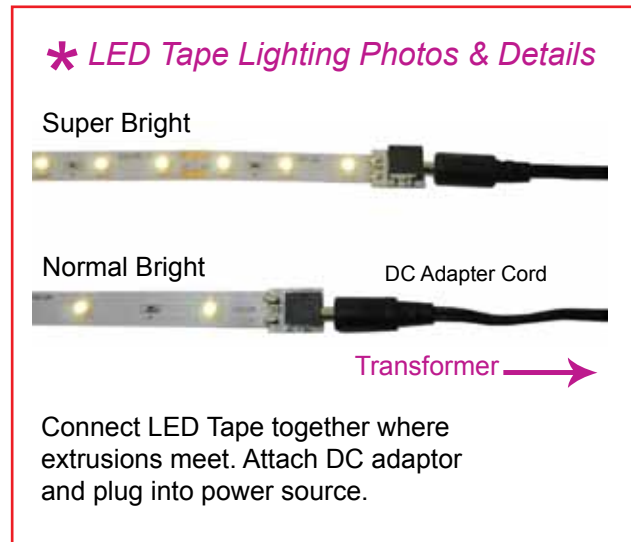
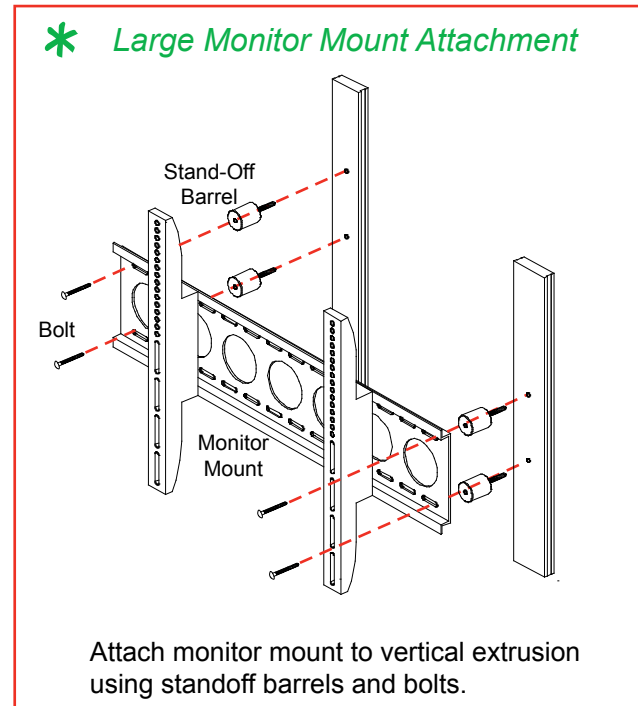
2) Apply SEG graphics to D-Frame Light Box.
See SEG Graphic Installation page in General Information



WHEN DISASSEMBLING ALUMINUM EXTRUSION, TIGHTEN ALL SETSCREWS AND LOCKS TO PREVENT LOSS DURING SHIPPING

Steps:

- 1) Connect power cords and DC adaptor cords to LED Tape Lighting.
See [LED Tape Lighting Photos & Details](#) detail.
- 2) Attach monitor mount stand-off barrels to vertical extrusions [17].
NOTE: Screw stand-off barrels into threaded holes of vertical extrusions.
- 3) Apply SEG fabric graphics to D-Frame.
See [SEG Graphic Installation](#) Page of General Information Pages.
- 2) Attach monitor mount to vertical extrusions [17].
See [Large Monitor Mount Attachment](#) detail.



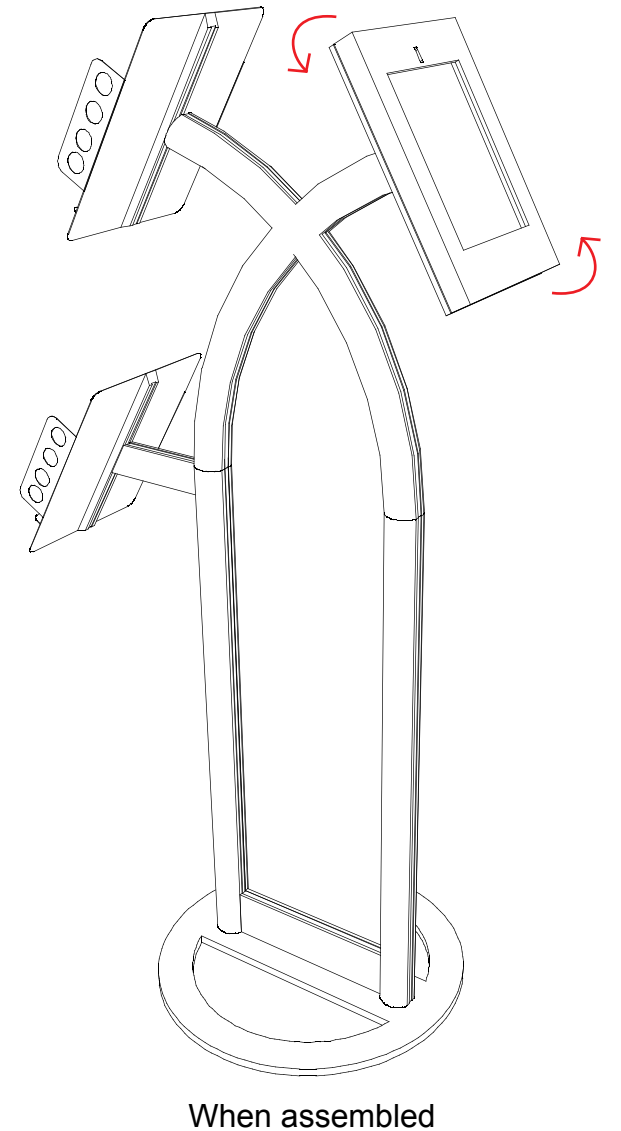
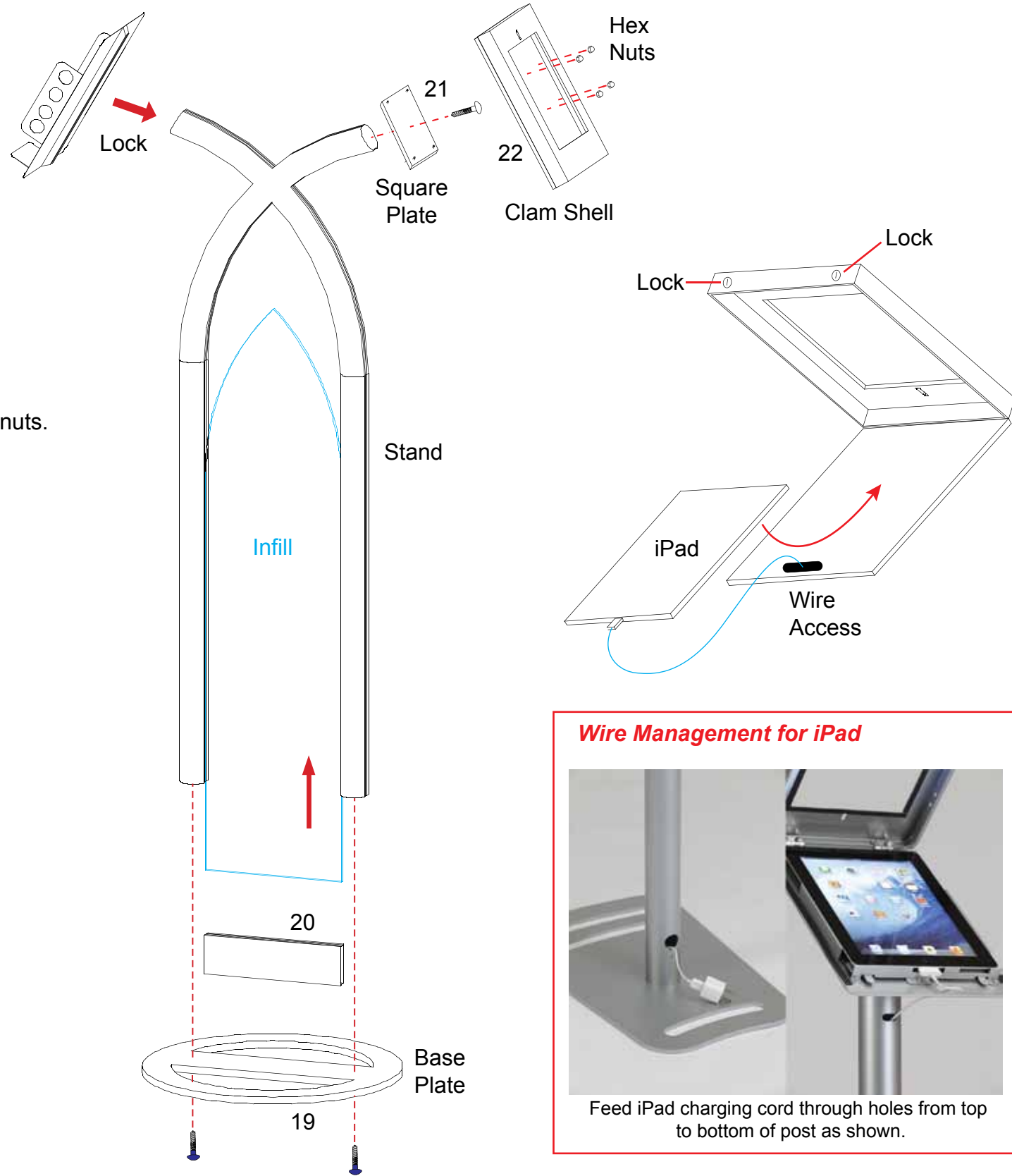
WHEN DISASSEMBLING ALUMINUM EXTRUSION, TIGHTEN ALL SETSCREWS AND LOCKS TO PREVENT LOSS DURING SHIPPING

866.652.2100

Item	Qty.	Description
19	1	Base Plate
20	1	10" w Z72 Horizontal Extrusion
21	1	Mounting Plate
22	1	iPad Clamshell

Steps:

- 1) Slide infill between stand verticals as shown.
- 2) Attach horizontal [20] between stand verticals.
- 3) Attach base [19] to stand verticals using bolts.
- 4) Attach square plate [21] to stand using bolt.
- 5) Attach clam shell [22] to square plate [21] using hex nuts.
- 6) Insert iPad and feed wire through hole.
- 7) Attach pamphlet trays to stand. Refer to detail.



When assembled

- Tools Required:**
- 1) Hex Tool
 - 2) Pliers



Optional Cover for Home Button

- 1) Remove foam lining from inside bottom of clam shell as shown.
- 2) Attach Home Button Shield with double-sided tape to inside of clam shell, keeping top of shield flush with clam shell opening as shown.

NOTE: This is a permanent fix and can't be easily removed.

Wire Management for iPad

Feed iPad charging cord through holes from top to bottom of post as shown.

WHEN DISASSEMBLING ALUMINUM EXTRUSION, TIGHTEN ALL SETSCREWS AND LOCKS TO PREVENT LOSS DURING SHIPPING